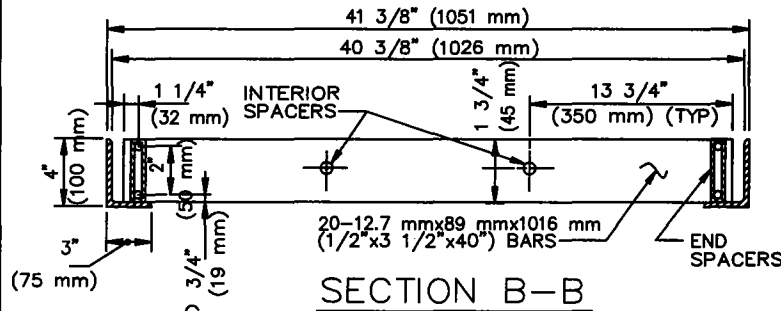
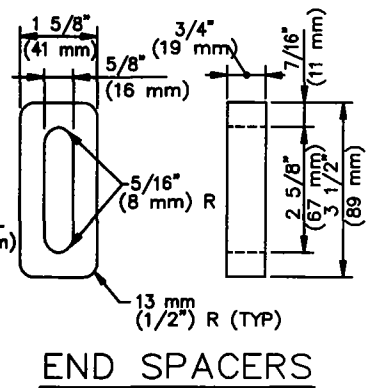
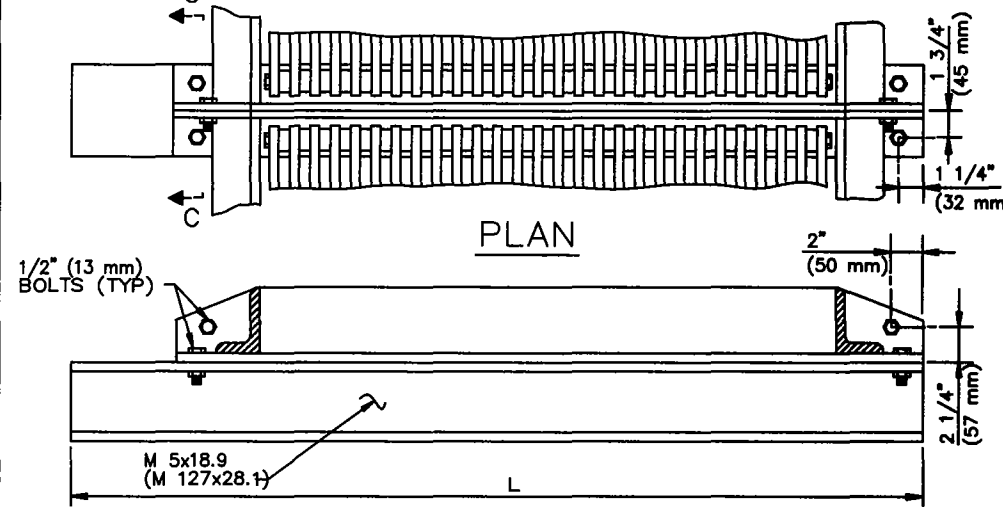


SECTION A-A



STANDARD 13 mm (1/2") PIPE
INTERIOR SPACERS



SECTION C-C

STANDARD PLANS FOR PUBLIC WORKS CONSTRUCTION

PROMULGATED BY THE
PUBLIC WORKS STANDARDS, INC.,
GREENBOOK COMMITTEE
1984
REV. 1993, 1996, 2009

**FRAME AND GRATING FOR
CATCH BASINS**

USE WITH STANDARD SPECIFICATIONS FOR PUBLIC WORKS CONSTRUCTION

STANDARD PLAN

311-3

SHEET 1 OF 2