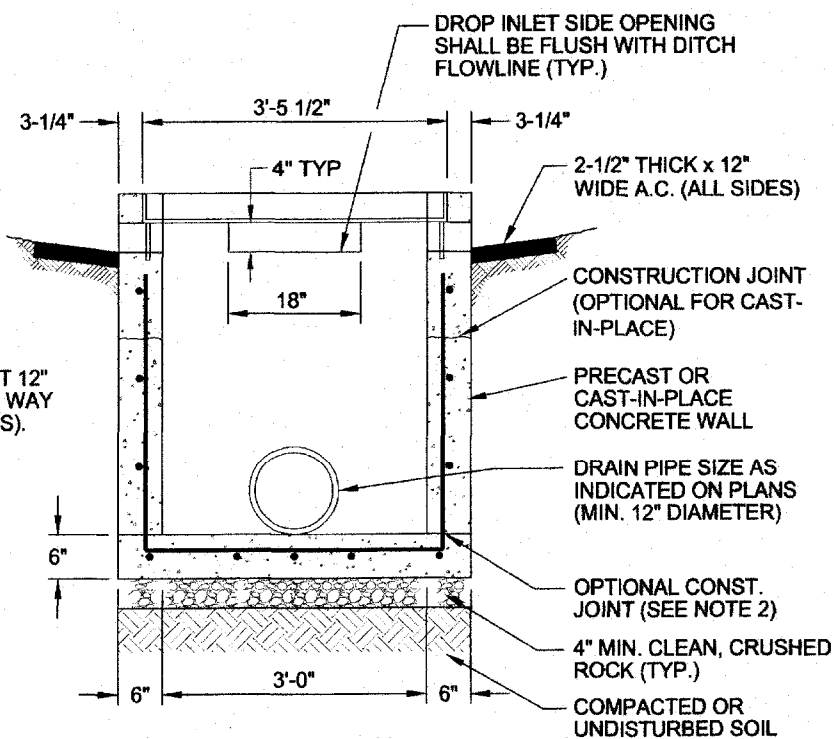
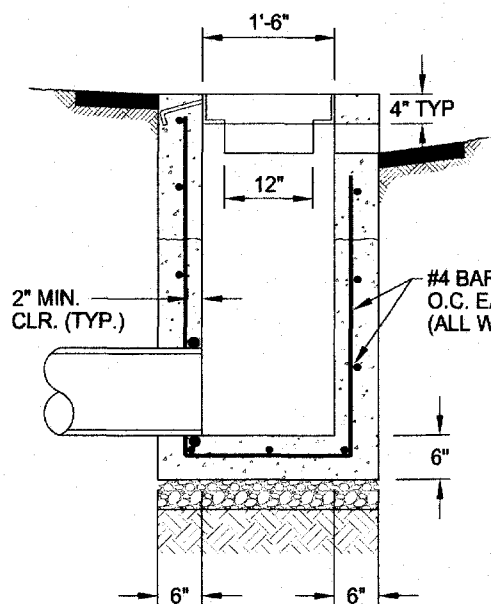


2-1/2" THICK x 12" WIDE A.C. (ALL SIDES)



**NOTES:**

1. THERE SHALL BE A SIDE INLET FACING EACH CHANNEL THAT DISCHARGES TO THE BOX, AND A GRATE COVERED TOP OPENING. MINIMUM OF TWO SIDE INLETS UNLESS OTHERWISE DIRECTED BY THE ENGINEER.
2. CAST-IN-PLACE CONCRETE DRAIN INLETS SHALL CONFORM TO SECTION 20 OF THE STANDARD SPECIFICATIONS. BOTTOM OF INLET SHALL BE PLACED AT SAME TIME AS SIDE WALLS, UNLESS NOTED OTHERWISE.
3. PRECAST DRAIN INLETS TO BE RATED FOR H<sub>2</sub>O LOADING & SHALL BE APPROVED BY THE ENGINEER.

| REV. | DATE | DESCRIPTION |
|------|------|-------------|
|      |      |             |
|      |      |             |
|      |      |             |