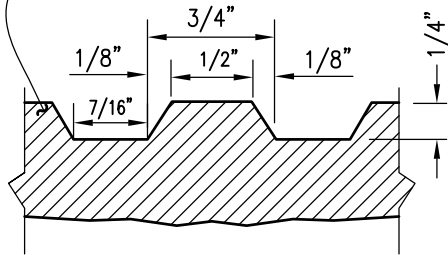
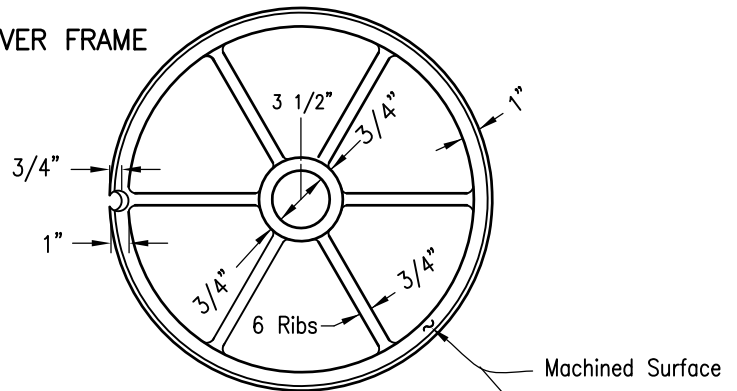
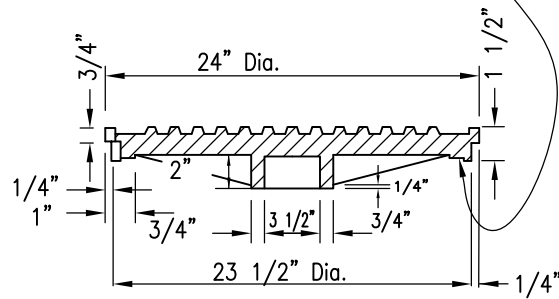


MANHOLE COVER FRAME



DETAIL



MANHOLE COVER

NOTES

1. Frame and cover shall be cast iron. Cast iron shall conform to ASTM 48, Class 35B.
2. Weights: Frame 166 lbs – 193 lbs.
Cover 147 lbs – 171 lbs.
3. Machine all matching surfaces and seats of frame and cover to prevent rocking.
4. Imported frames and covers shall have the country of origin marked in compliance with federal regulations.

FOR	MARK
Sewer Projects	Sewer
Storm Drain Projects	Storm Drain
Water Projects	Water

Revision	By	Approved	Date
ORIGINAL		Kercheval	12/75
Delete Metric		D. Gerschoffer	05/12
Reviewed		T. Stanton	12/15

SAN DIEGO REGIONAL STANDARD DRAWING

**24" MANHOLE FRAME AND COVER
HEAVY DUTY**

RECOMMENDED BY THE SAN DIEGO REGIONAL STANDARDS COMMITTEE

T. Stanton 12/17/2015
Chairperson R.C.E. 19246 Date

DRAWING NUMBER **M-01**