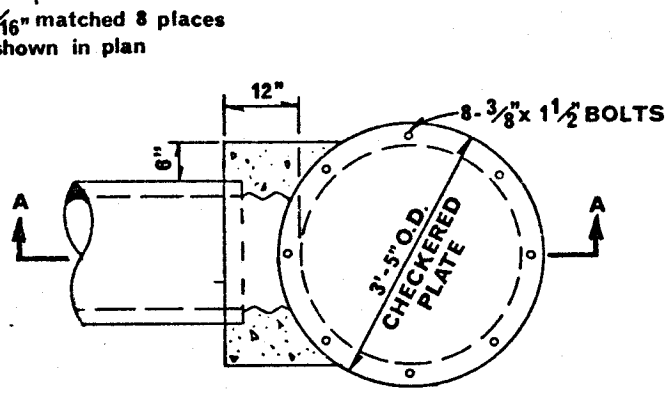
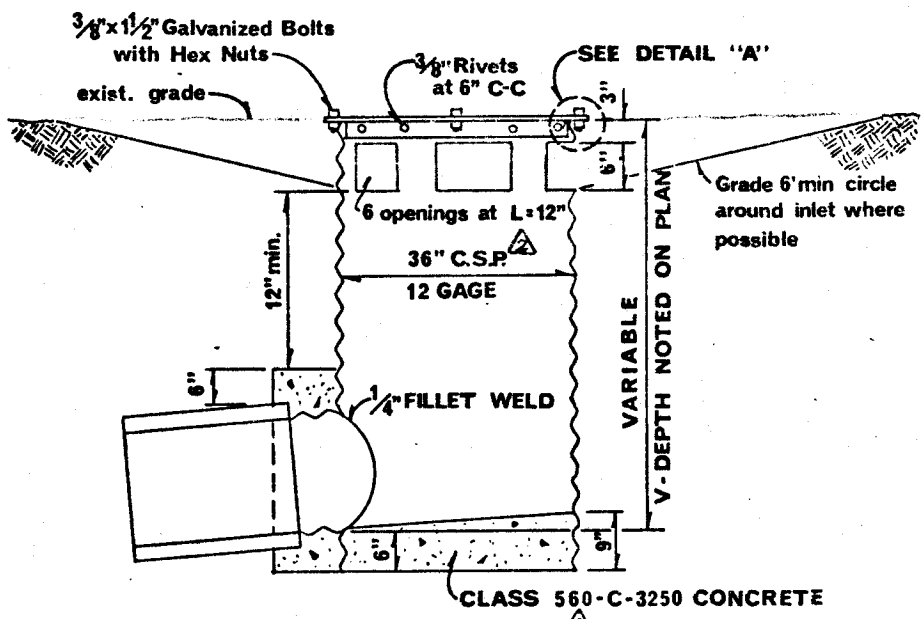


• Field Weld each nut to angle  
 Plate and Angle shall be galvanized

**DETAIL "A"**



**PLAN**



**SECTION A-A**

APPROVED: *[Signature]* DATE 7-24-78  
 PUBLIC WORKS DIRECTOR - R.C.E. 8134

MARK	REVISIONS	APPR.	DATE
⚠	revised concrete class	<i>[Signature]</i>	7-13-78
⚠	changed CMP to CSP	<i>[Signature]</i>	10-26-82

**CITY OF RIVERSIDE**  
 PUBLIC WORKS DEPT. - ENGINEERING DIV.

**C.S.P. INLET**

STANDARD DRAWING NO. **412**