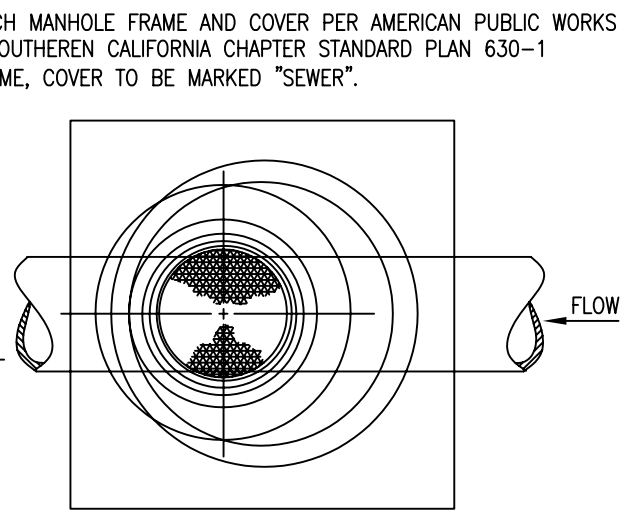


SECTION OF MANHOLE
SCALE : NONE

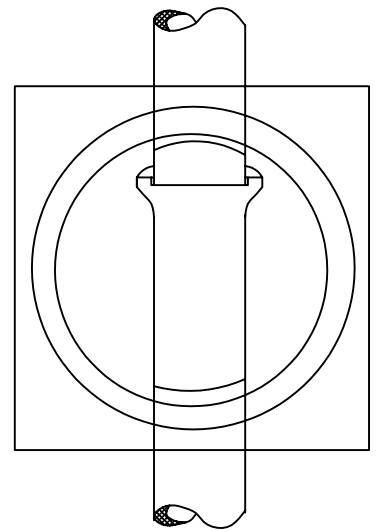
NOTE:
PREFORMED FIBER GLASS REINFORCED
PLASTIC MANHOLE CHANNELS ARE
ACCEPTABLE AS MANUFACTURED BY
INTERPACE, OR EQUAL.



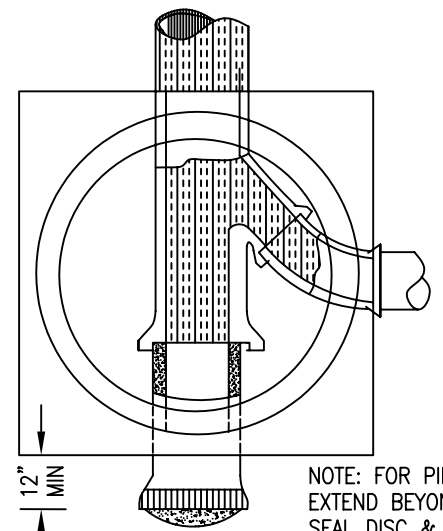
PLAN OF MANHOLE
SCALE NONE

(SHOWS FRAME & COVER ON DOWNSTREAM SIDE)
PRECAST CONCRETE MANHOLE PIPE SHALL CONFORM
TO A.S.T.M. C-478. INSIDE SURFACE MUST BE
SMOOTH & FREE OF SURFACE VOIDS.
A MIN. THICKNESS OF 4 1/8" IF CENTRICALLY SPUN. A
MIN OF 5" IF MECHANICALLY RODDED. (UNLESS
OTHERWISE SPECIFIED IN THE SPECIAL PROVISIONS.)
T-LOCK MANHOLE PIPE WITH FACTORY INSTALLED
PVC LINER ON 12" AND LARGER SEWERS.
SLOPE TO CHANNEL AT 1/4" PER FOOT STEEL TROWEL
FINISH.

▲ INSTALL RAP-O MANHOLE COVER CUSHION
AROUND MANHOLE COVER BY MUNICIPAL
SERVICES INC; 420 BOSTON TURNPIKE;
SHREWSBURY MASS; 01545 OR APPROVED
EQUAL.

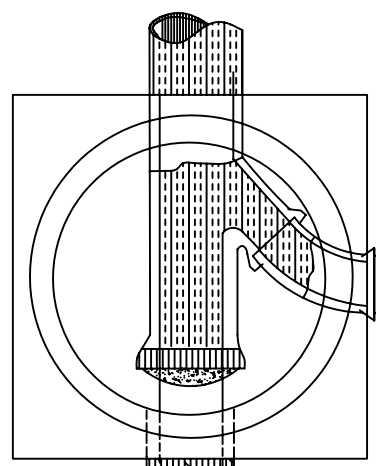


SECTIONAL PLAN
ONE WAY BASE

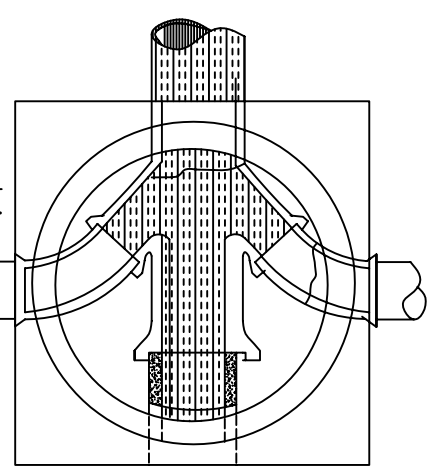


SECTIONAL PLAN
TWO WAY BASE

NOTE: FOR PIPE STUB OUT
EXTEND BEYOND BASE &
SEAL DISC & GROUT CAP.




SECTIONAL PLAN
THREE WAY BASE



SECTIONAL PLAN
FOUR WAY BASE

INCREASER FOR SMALLER LINE

RICHARD G. SWEET R.C.E. 44,213 EXP. 6/30/07		DATE 11/22/04		 City of Santa Maria Standard Drawing	
REVISIONS		BY	APP		
▲	REVISION INDICATED	MK		8/06	DESCRIPTION: MANHOLE & DETAILS
DRAWN BY: R.L.B.		DATE DRAWN: 3/67		SCALE: NONE	STANDARD NUMBER SS-10A
				SHEET 1 OF 1	