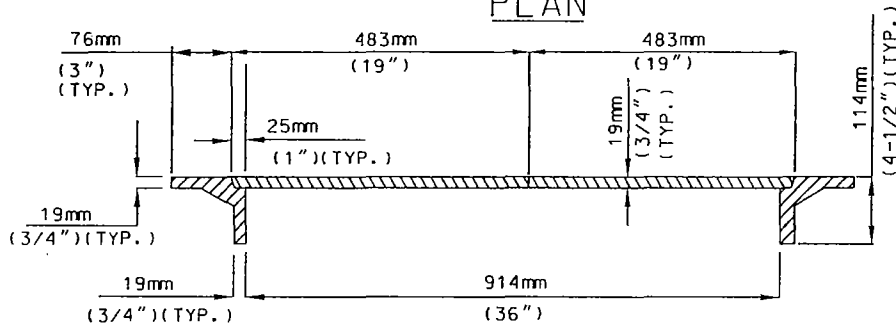
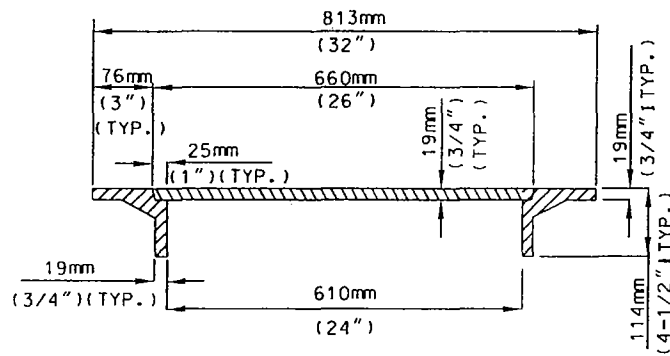


PLAN



SECTION A-A



SECTION B-B

LOS ANGELES COUNTY DEPARTMENT OF PUBLIC WORKS

RECTANGULAR FRAME AND COVER

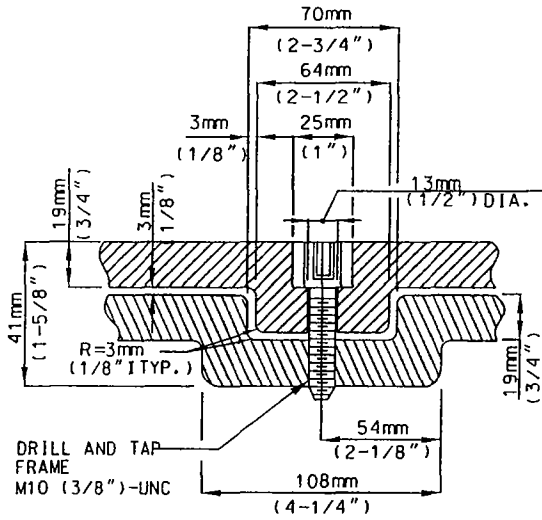
STANDARD PLAN
WQ 387

APPROVED

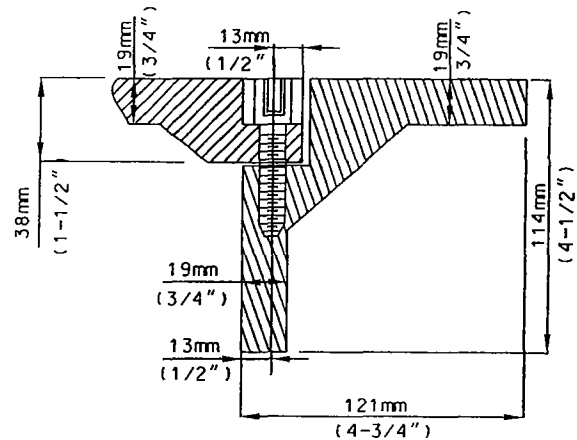
DIRECTOR OF PUBLIC WORKS

DATE

SHEET 1 OF 2



SECTION E-E



SECTION F-F

NOTES AND SPECIFICATIONS:

1. RECTANGULAR FRAME AND COVER SHALL BE CAST IRON AND CONFORM TO ASTM A-48, CLASS 35B GRAY IRON.
2. MINIMUM IRON TENSILE STRENGTH SHALL BE 35,000 p.s.i.
3. ALL CASTING RADII SHALL BE 6mm (1/4"), UNLESS OTHERWISE SHOWN.
4. A PLAIN 6mm (1/4") BORDER SHALL BE TYPICAL FOR ALL BORDERS ON FRAME AND COVER.
5. MANHOLE FRAME AND COVER SHALL BE FABRICATED AS A UNIT AND IDENTIFIED AS SUCH.
6. USE ONE 10mm-0.63 X 25mm (3/8"-16x1") STAINLESS STEEL SOCKET CAP SCREW PER COVER. APPLY HIGH ADHESIVE, OPEN GEAR GREASE TO THREADED PORTION PRIOR TO INSERTION.
7. THE T-HINGE AND LIFT HANDLE DIMENSIONS & METHOD OF ATTACHMENT ARE SHOWN SCHEMATICALLY. THE RECTANGULAR COVER SHALL BE HINGED AT THE BOTTOM AND IT SHALL SWING UPWARD 108°. T-HINGES SHALL BE CAST WITH THE COVER AND FURNISHED WITH BRASS HINGE PINS. SUBMIT SHOP DRAWINGS TO THE AGENCY FOR REVIEW AND ACCEPTANCE. SEE SPECIAL PROVISIONS.
8. MANHOLE COVERS SHALL BE CAST TO PROVIDE 3mm (1/8") GAP BETWEEN COVERS AND MANHOLE MANHOLE FRAME.

LOS ANGELES COUNTY DEPARTMENT OF PUBLIC WORKS

RECTANGULAR FRAME AND COVER

STANDARD PLAN
WQ 387

APPROVED

DIRECTOR OF PUBLIC WORKS

DATE

SHEET 2 OF 2