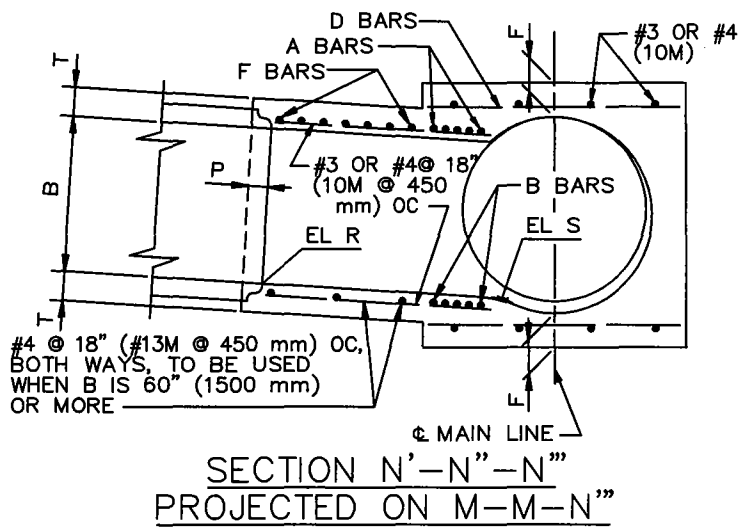
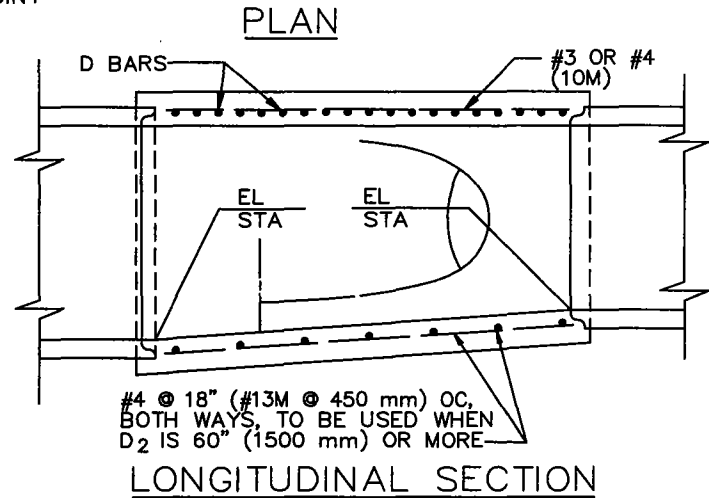


**TABLE**

FOR DIMENSIONS AND BAR SIZES

D <sub>2</sub> OR B	F OR T	A OR B BARS		P (RCP)
		(INCHES)	(mm)	
12	300	4	110	5" (125 mm)
15	375	4 1/4	110	
18	450	4 1/2	120	
21	525	5	130	
24	600	5 1/4	140	
27	675	5 1/2	140	
30	750	6	160	
33	825	6 1/4	160	
36	900	6 1/2	170	
39	975	7	180	
42	1050	7 1/2	190	
45	1125	7 3/4	200	
48	1200	8	210	
51	1275	8 1/2	220	
54	1350	9	230	
57	1425	9 1/4	240	
60	1500	9 1/2	250	
63	1575	10	260	
66	1650	10 1/4	260	
69	1725	10 3/4	280	
72	1800	11	280	
78	1950	11 3/4	300	
84	2100	12 1/2	320	
90	2250	13 1/4	340	
96	2400	14	360	
102	2550	15 1/2	400	
108	2700	16	410	
114	2850	16 1/2	420	
120	3000	17	440	
126	3150	17	440	
132	3300	17 1/2	450	
138	3450	17 1/2	450	
144	3600	18	460	
				8" (200 mm)



STANDARD PLANS FOR PUBLIC WORKS CONSTRUCTION

PROMULGATED BY THE  
PUBLIC WORKS STANDARDS INC.  
GREENBOOK COMMITTEE  
1992  
REV. 1995, 2009

**TRANSITION STRUCTURE  
PIPE TO PIPE**

USE WITH STANDARD SPECIFICATIONS FOR PUBLIC WORKS CONSTRUCTION

STANDARD PLAN

**340-2**

SHEET 1 OF 2