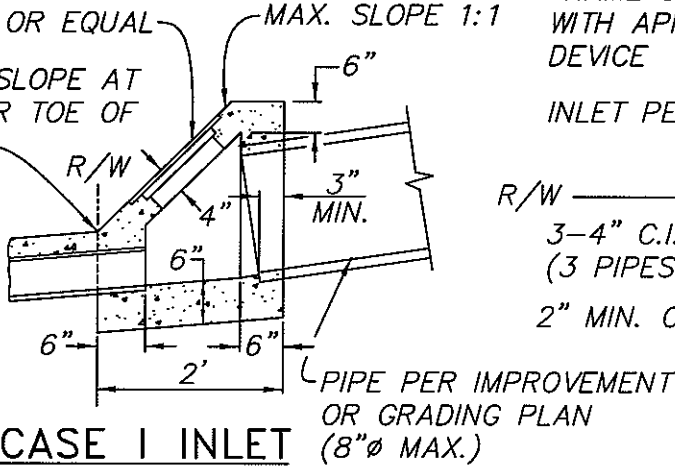
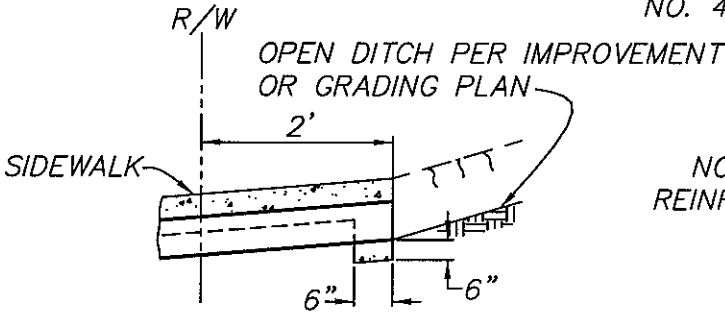


ALHAMBRA FOUNDRY  
A-2273 FRAME &  
COVER OR EQUAL

BEGIN SLOPE AT  
R/W OR TOE OF  
SLOPE



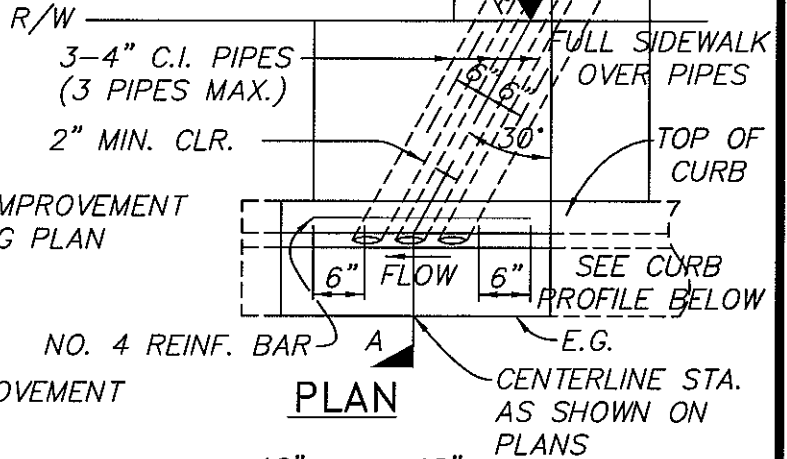
CASE I INLET  
TRANSITION STRUCTURE SECTION



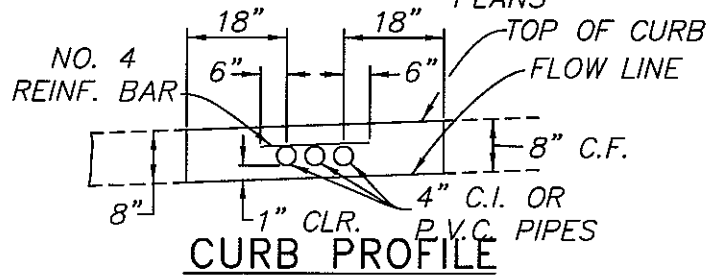
CASE II INLET

ALHAMBRA FOUNDRY A-2273  
FRAME & COVER OR EQUAL  
WITH APPROVED LOCKING  
DEVICE

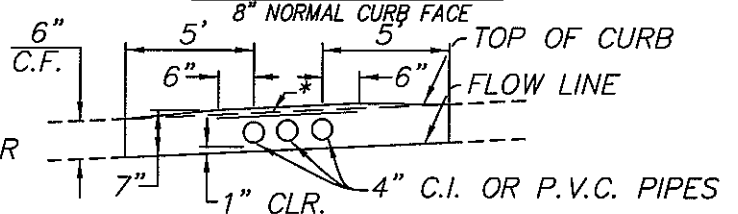
INLET PER CASE I



PLAN



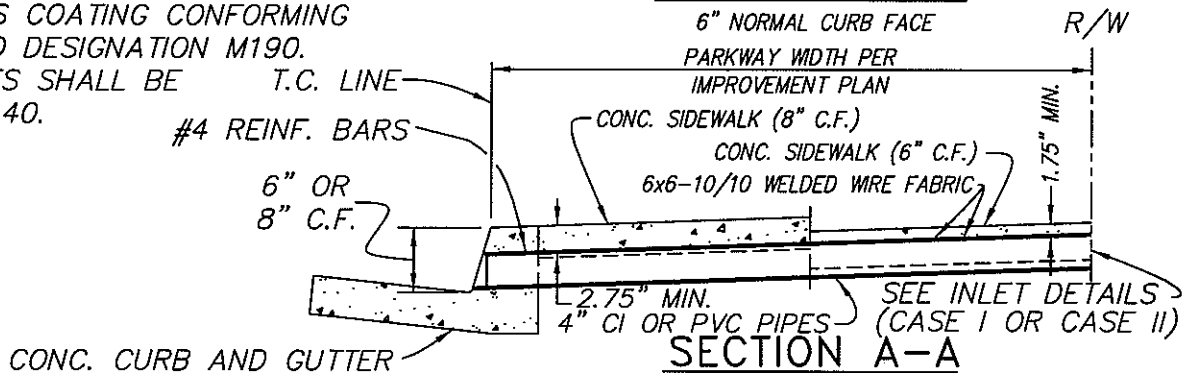
CURB PROFILE



\* NORMAL T.C. LINE AS SHOWN ON PROFILE  
CURB PROFILE

GENERAL NOTES:

1. SEE STD. PLAN 312 SHEET 4 of 4 FOR DETAILS AND NOTES.
2. ALHAMBRA FOUNDRY A-470 RECTANGULAR CAST IRON PIPE MAY BE SUBSTITUTED AT THE CONTRACTOR'S OPTION OR AS SPECIFIED ON THE PLANS.
3. CAST IRON FACILITIES SHALL HAVE A BITUMINOUS COATING CONFORMING TO AASTHO DESIGNATION M190.
4. P.V.C. PIPES SHALL BE SCHEDULE 40.



SECTION A-A

APPROVED:

*[Signature]*  
CITY ENGINEER

CITY OF HUNTINGTON BEACH

DEPARTMENT OF PUBLIC WORKS



PARKWAY CULVERT  
TYPE "C"

STANDARD PLAN  
312  
3 of 4

REVISION DATE: May 2008