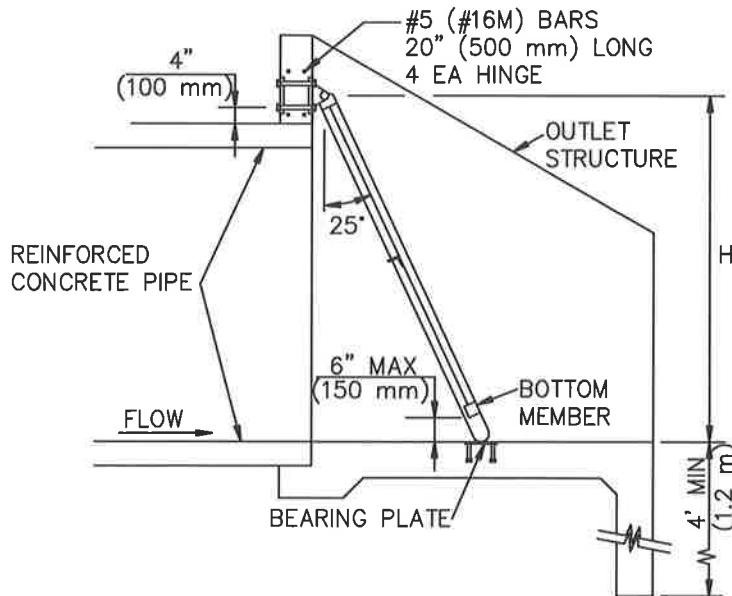


TRAPEZOIDAL OUTLET BARRIER
FOR RCP

FOR TRAPEZOIDAL OUTLET BARRIERS, USE W_H TO DETERMINE NUMBER AND SIZE OF HINGES AND USE W_F TO DETERMINE REQUIRED FRAME MEMBER SIZES.



SECTION B-B

STANDARD PLANS FOR PUBLIC WORKS CONSTRUCTION

STANDARD PLAN

SLOPED PROTECTION BARRIER

360-2

SHEET 2 OF 8