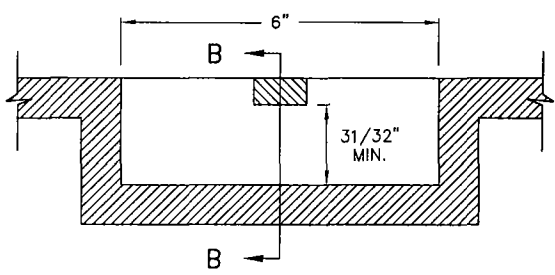
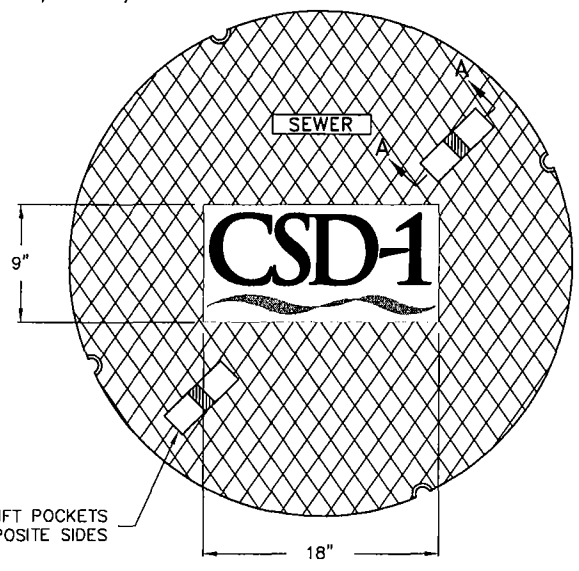


SECTION B-B

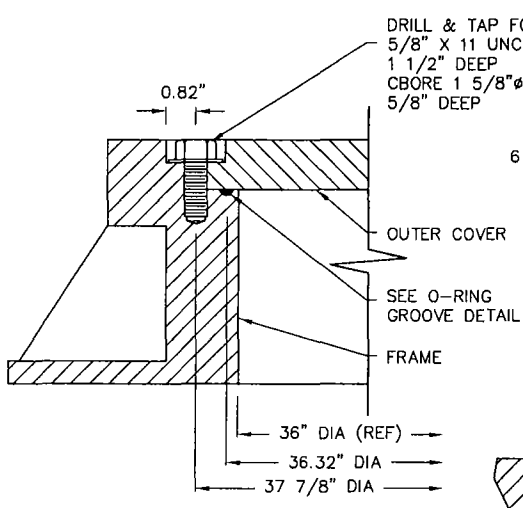
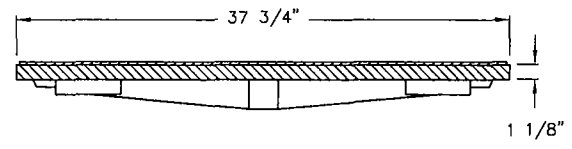


SECTION A-A

SUPPLIERS TO SUBMIT SAMPLE FOR APPROVAL. LETTERS AND RIBBON TO BE SHARP AND CLEAR AND BE THE SAME ELEVATION AS THE CROSS-HATCHED SURFACE AREA WITH THE BACKGROUND RECESSED 1/8\"/>

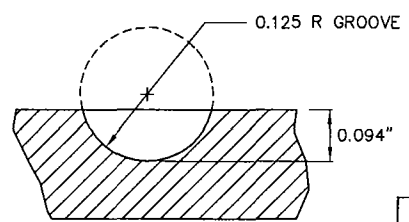
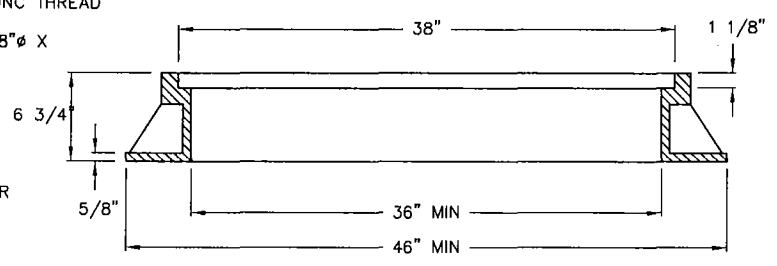


2 LIFT POCKETS OPPOSITE SIDES



BOLT DOWN COVER DETAIL

DRILL & TAP FOR 5/8\"/>



O-RING GROOVE DETAIL

ITEM	APPROX. WT. (LBS)
FRAME	310 ± 5%
COVER	310 ± 5%

NOTES:

- ALL CASTINGS TO CONFORM TO ASTM A48, CLASS 35B.
- FRAME AND COVER TO MEET H-20 LOAD SPECIFICATIONS.
- MACHINED HORIZONTAL AND VERTICAL BEARING SURFACES NOT TO EXCEED 1/64\"/>

Mary K Snyder
DIRECTOR

SACRAMENTO COUNTY
MUNICIPAL SERVICES AGENCY

**GREY IRON
STANDARD 36\"/>**

DRAWN BY: RAS
SCALE: NONE
DATE: 11/07

7-4C-73