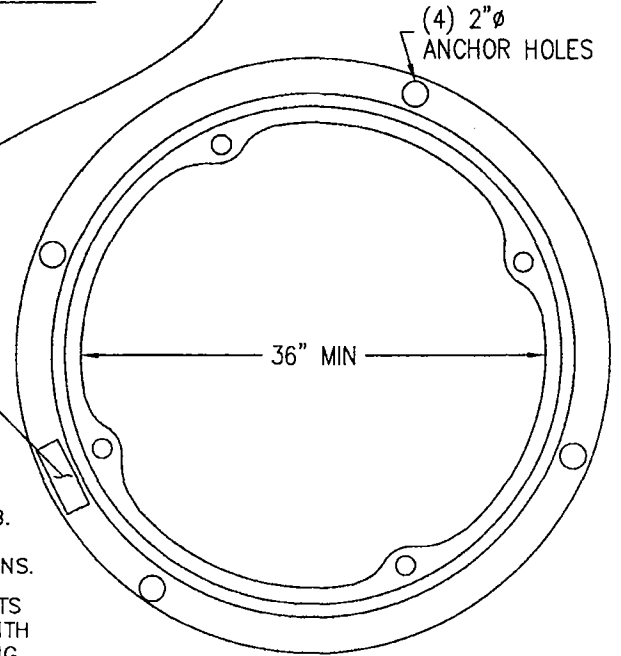
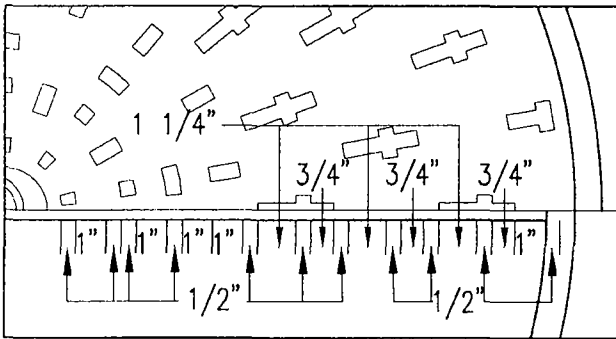


PLAN



NOTES:

1. MACHINED HORIZONTAL AND VERTICAL BEARING SURFACES NOT TO EXCEED 1/64" TOLERANCE.
2. ALL CASTINGS TO CONFORM TO ASTM A48, CLASS 35B.
3. FRAME AND COVER TO MEET H-20 LOAD SPECIFICATIONS.
4. EXPOSED SURFACES OF THE CASTINGS, WITH THE PARTS ASSEMBLED AND DISASSEMBLED, SHALL BE PAINTED WITH COMMERCIAL QUALITY ASPHALTUM PAINT AFTER TESTING AND ASSEMBLY.
5. LOCKING COVER TYPE FRAME AND COVERS SHALL BE USED WHEN SPECIFIED IN CONTRACT DOCUMENTS.
6. H-20 RATED SLOTTED GRATE OR GRATE TYPE MANHOLE COVER MAY BE SUBSTITUTED FOR COVER WHEN SPECIFIED IN CONTRACT DOCUMENTS OR UPON APPROVAL OF DIRECTOR.
7. SHALL BE USED ON ALL FLAT SLAB TOP MANHOLES.

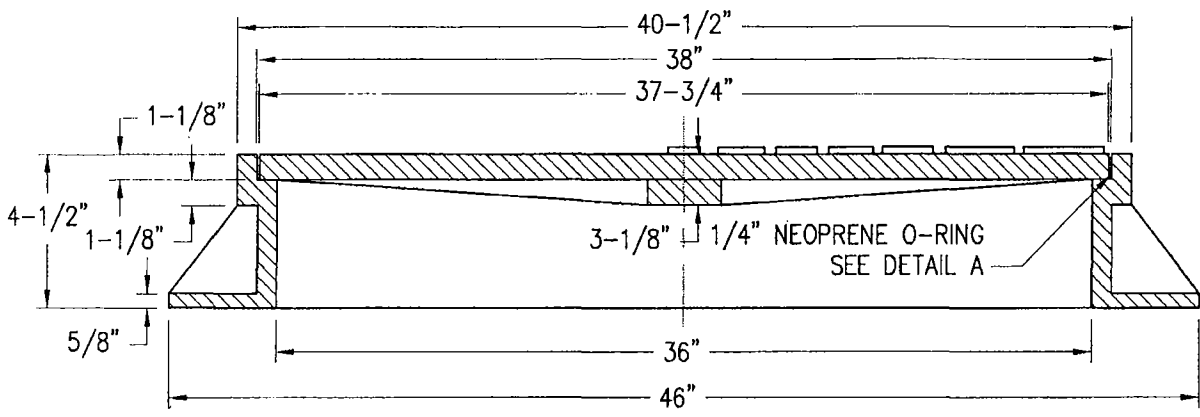
Keith DeWore
 DIRECTOR, DEPARTMENT OF WATER RESOURCES

SACRAMENTO COUNTY
 MUNICIPAL SERVICES AGENCY

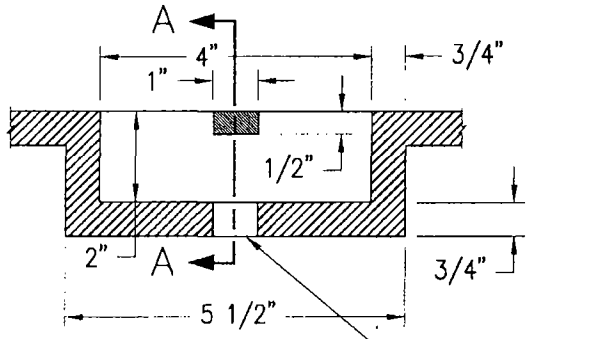
**GREY CAST IRON
 STANDARD 36" MANHOLE
 FRAME & COVER**

DRAWN BY: STAFF
 SCALE: NONE
 DATE: 04/07

9-10
 SHEET 1 OF 2

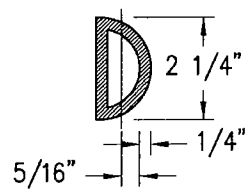


SECTION C-C

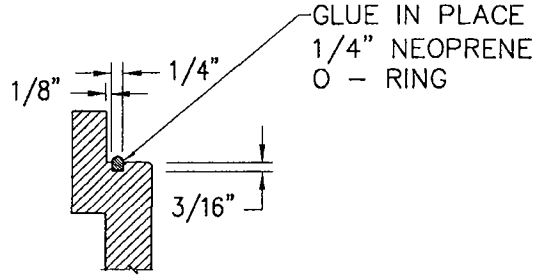


SECTION B-B
NTS.

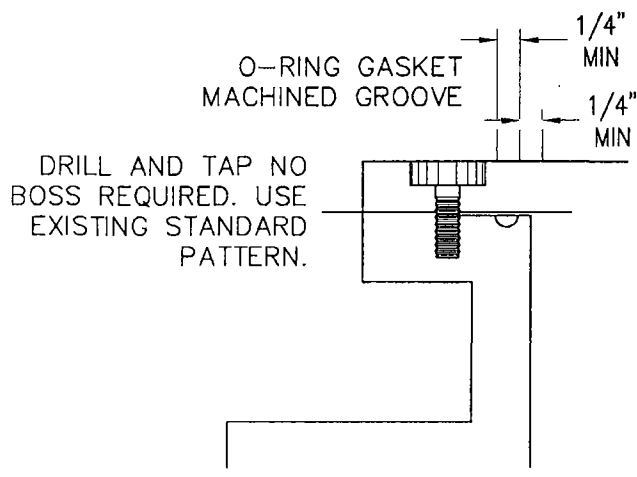
1" DIA. VENT HOLE



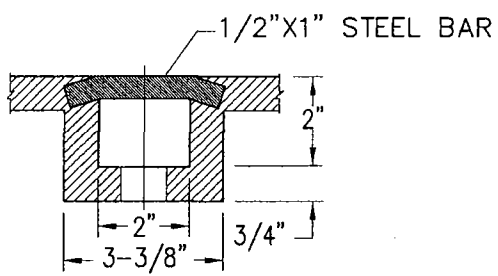
DETAIL B
NTS.



DETAIL A
NTS.



BOLT DOWN COVER DETAIL
NTS.



SECTION A-A
NTS.

SACRAMENTO COUNTY
MUNICIPAL SERVICES AGENCY

**GREY CAST IRON
STANDARD 36" MANHOLE
FRAME & COVER**

DRAWN BY: TRU PHAN
SCALE: NONE
DATE: 6/07

9-10
SHEET 2 OF 2

Keith DeVore
DIRECTOR, DEPARTMENT OF WATER RESOURCES