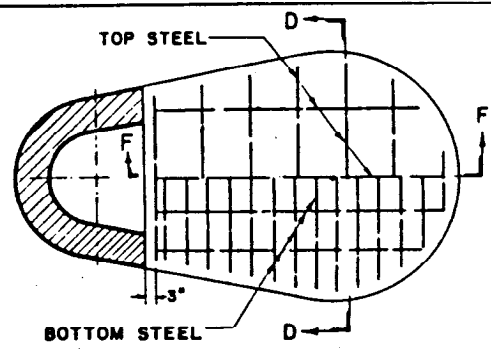
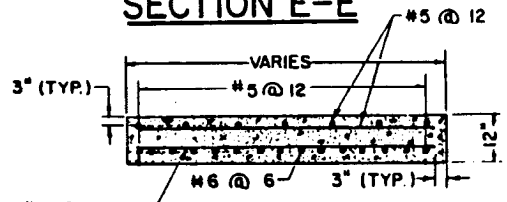
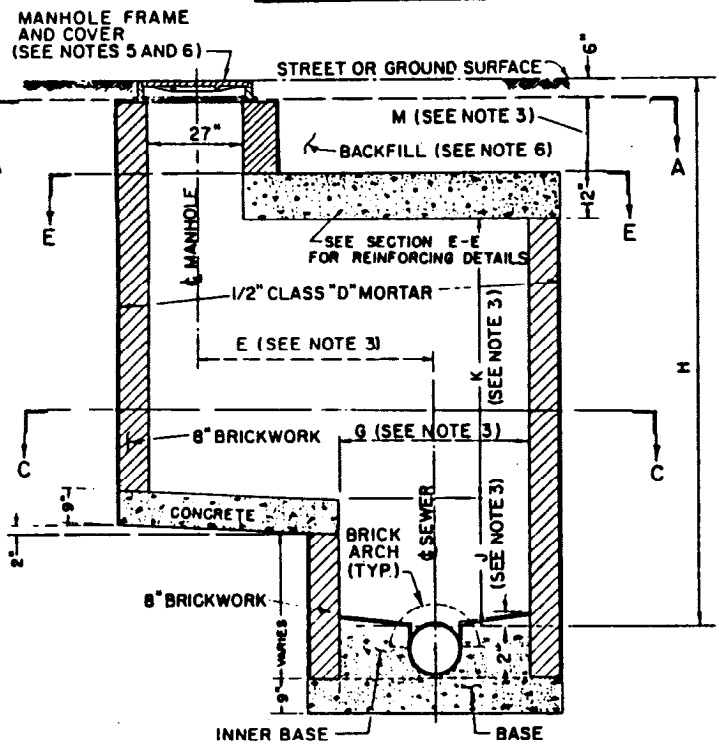


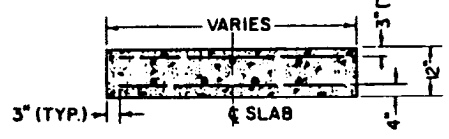
SECTION A-A



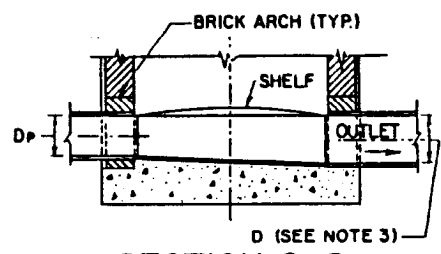
SECTION E-E



SECTION F-F

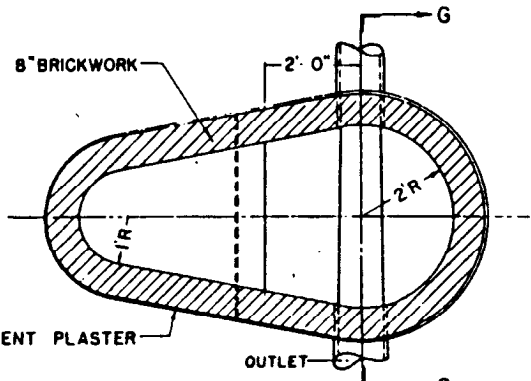


SECTION D-D



SECTION G-G

SECTION B-B



SECTION C-C

BUREAU OF ENGINEERING DEPARTMENT OF PUBLIC WORKS CITY OF LOS ANGELES

OFFSET MANHOLE

STANDARD PLAN S-147-0

SUBMITTED *APRIL 1982*
Robert S. Davis
 DEPUTY ENGINEER
 APPROVED *APR 19 1982*
Charles J. Gentry
 CITY ENGINEER
 DESIGNED BY LVE DRAWN BY RGM CHECKED BY LJM

REVISIONS						SUPERSEDES	REFERENCES
NO	DATE	DESCRIPTION	ENGR OF DESIGN	CITY ENGR.			
					B-3028	S-140 S-141 S-282	

VAULT INDEX NUMBER B-4030
 SHEET 1 OF 2 SHEETS

NOTES

1. EXCEPT AS INDICATED HEREON OR ON THE PROJECT PLANS, MANHOLES SHALL CONFORM TO STANDARD PLAN S-140, SEWER MANHOLES - GENERAL, AND STANDARD PLAN S-141, BRICK MANHOLE.
2. ALL SEWER PIPE SHALL, UNLESS OTHERWISE INDICATED ON THE PROJECT PLANS, BE ANY OF THE FOLLOWING:
 - A. FOR SEWER PIPE NOT EXCEEDING 15" I.D.:
 1. VCP CONFORMING TO SECTION 207-8 OF THE STANDARD SPECIFICATIONS;
 2. ABS SOLID WALL PIPE CONFORMING TO SECTION 207-14 OF THE STANDARD SPECIFICATIONS;
 3. ABS COMPOSITE PIPE CONFORMING TO SECTION 207-15 OF THE STANDARD SPECIFICATIONS;
 4. PVC PIPE CONFORMING TO SECTION 207-16 OF THE STANDARD SPECIFICATIONS.
 - B. FOR SEWER PIPE EXCEEDING 15" I.D.:
 1. VCP CONFORMING TO SECTION 207-8 OF THE STANDARD SPECIFICATIONS.
3. DIMENSIONS:
 - M = 2'-0"
 - K = 5'-6"
 - H - SEE PROJECT PLANS
 - J - SEE PROJECT PLANS
 - E - SEE PROJECT PLANS
 - G = 4'-0"
 - Dp - SEE PROJECT PLANS
4. CONCRETE SHALL CONFORM TO SECTION 201 OF THE STANDARD SPECIFICATIONS, AND SHALL BE:
 - CLASS 660-B-3750 FOR THE INNER BASE;
 - CLASS 560-B-3250 FOR THE BASE, WALLS, AND SLABS;
 - CLASS 420-C-2000 FOR BACKFILL AND PIPE ENCASEMENT.

THE CONTRACTOR MAY FURNISH A HIGHER CLASS OF CONCRETE FOR THE BASE, WALLS, SLABS, BACKFILL AND PIPE ENCASEMENT TO MINIMIZE THE NUMBER OF DIFFERENT CLASSES OF CONCRETE USED.
5. INSTALL MANHOLE FRAME AND COVER CONFORMING TO STANDARD PLAN S-282.
6. BACKFILLING OVER THE UPPER CONCRETE SLAB AND INSTALLATION OF THE MANHOLE FRAME AND COVER SHALL NOT BE PERMITTED UNTIL 14 DAYS AFTER THE UPPER CONCRETE SLAB HAS BEEN POURED.