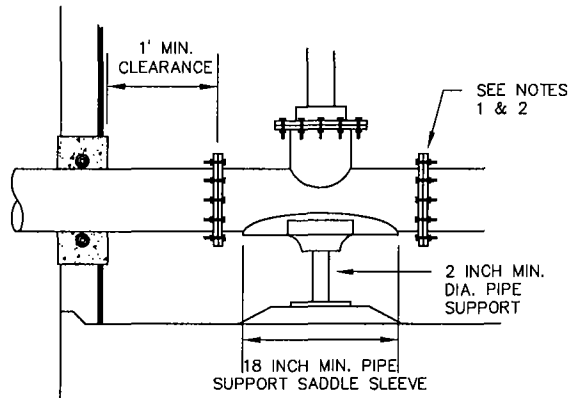


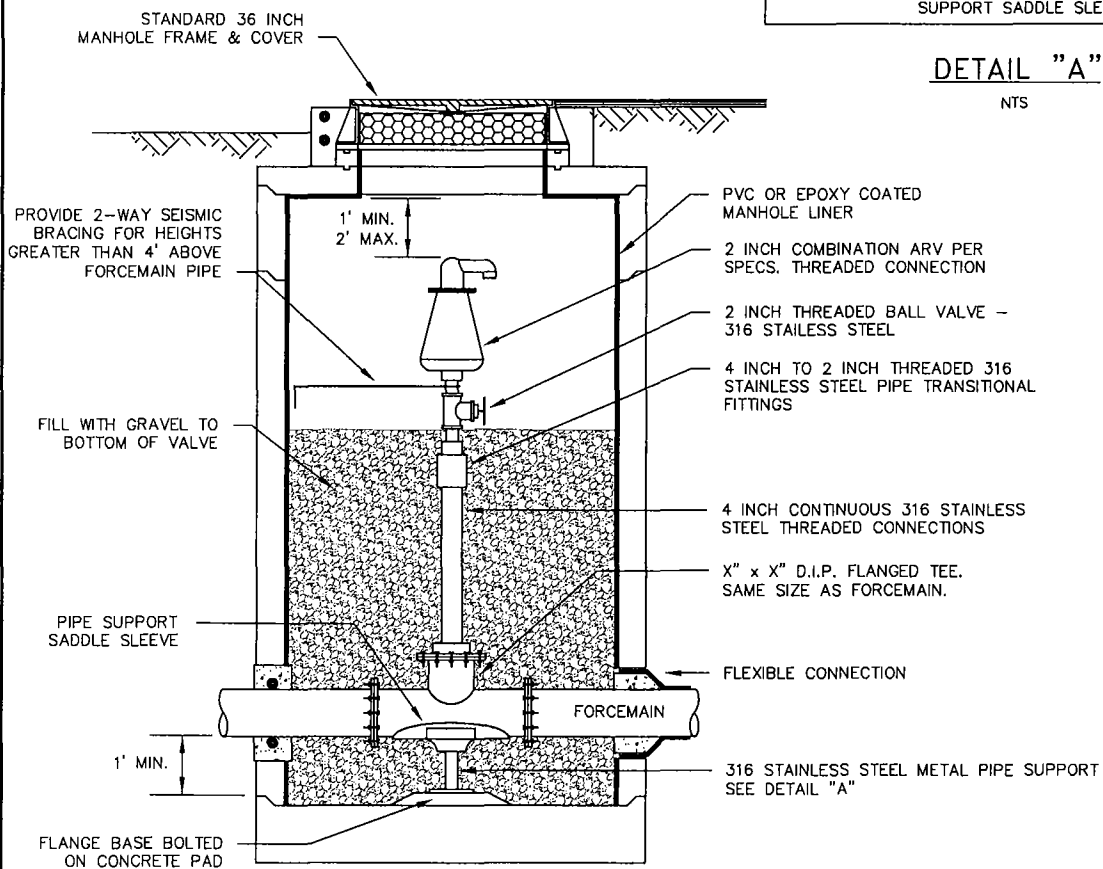
**MANHOLE PLAN VIEW**

SEE NOTE 4



**DETAIL "A"**

NTS



**MANHOLE SECTION**

NTS

**NOTES:**

1. ALL HARDWARE AND FASTENERS SHALL BE 316 STAINLESS STEEL.
2. FLANGE CONNECTIONS SHALL USE NEOPRENE GASKETS BETWEEN FLANGES WITH STAINLESS STEEL WASHERS ON THE OUTSIDE.
3. PIPE PENETRATIONS THROUGH MANHOLE SHALL INCLUDE RESILIENT CONNECTORS.
4. FORCEMAIN OFFSET, NOT CENTERED, IN MANHOLE.

*Mary K Snyder*  
DIRECTOR

**SACRAMENTO COUNTY  
MUNICIPAL SERVICES AGENCY**

**STANDARD 60"  
AIR RELEASE VALVE  
SEWER MANHOLE**

DRAWN BY: RAS  
SCALE: NONE  
DATE: 11/07

**7-5C-70**