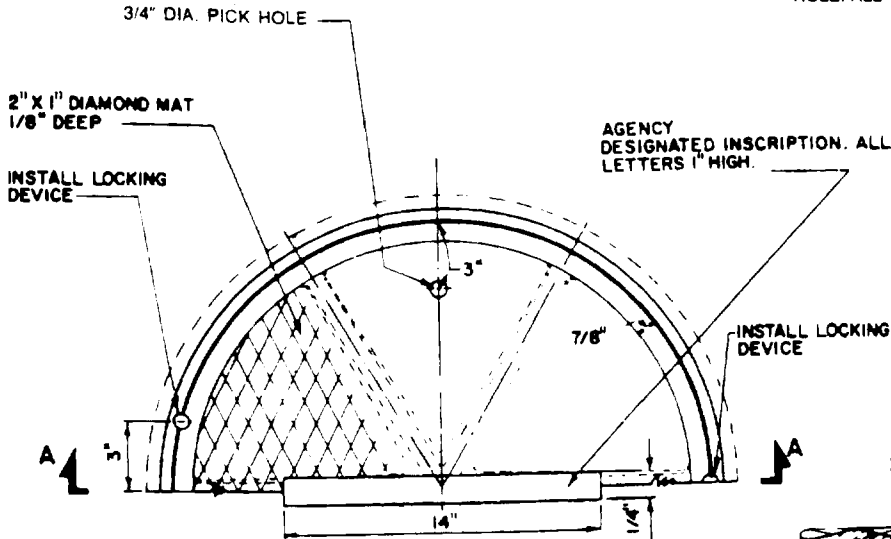
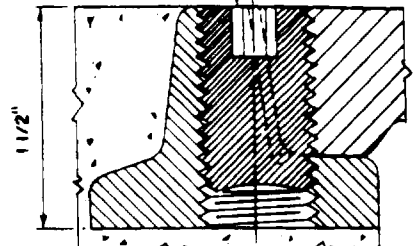


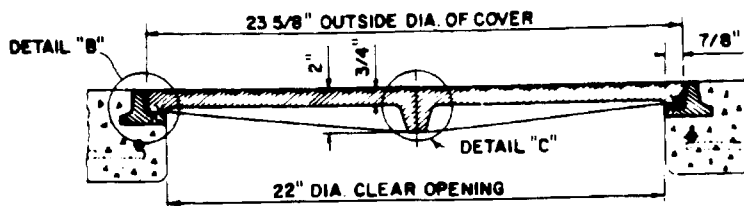
DRILL AND TAP HOLE AND INSTALL 3/4" X 1 1/4" STAINLESS STEEL SOCKET SET SCREW WITH 3/8" RECESSED HEX HOLE. ALL THREADS SHALL BE N.C.



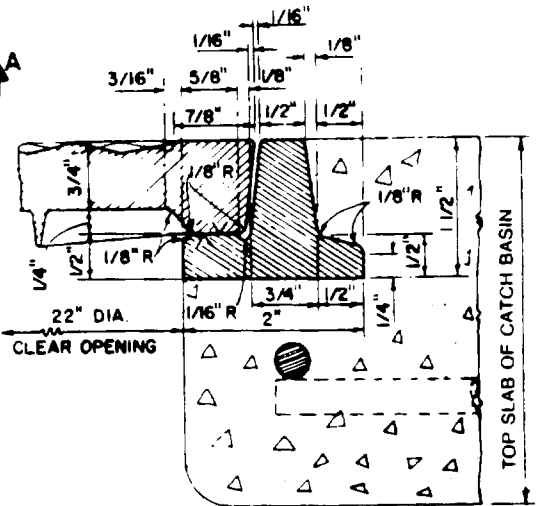
PLAN



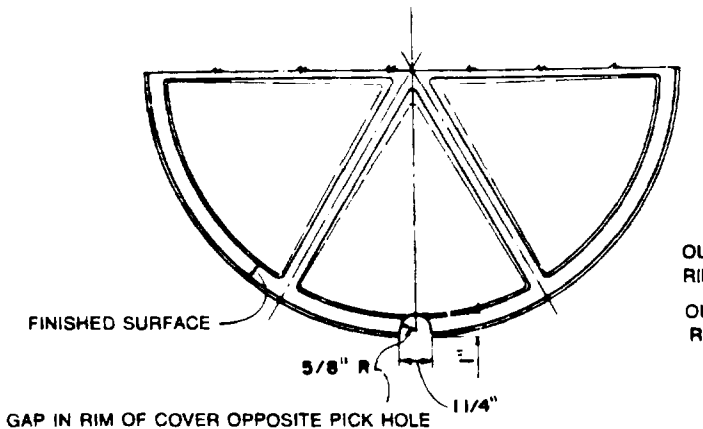
LOCKING DEVICE



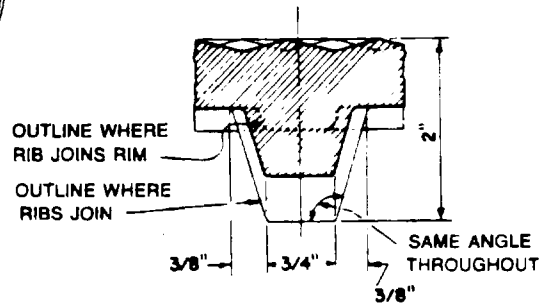
SECTION A-A



DETAIL "B"



BOTTOM OF MANHOLE COVER



DETAIL "C"

CITY OF RANCHO CUCAMONGA, CALIFORNIA

APPROVED BY:

W. Daniel 6.1.92
CITY ENGINEER DATE
R.C.E. 24953

**CATCH BASIN
MANHOLE FRAME AND COVER**

USE WITH STANDARD SPECIFICATIONS FOR PUBLIC WORKS CONSTRUCTION

STANDARD PLAN

310

SHEET 1 OF 2

NOTES:

1. THE CAST IRON USED SHALL CONFORM WITH ASTM A-48 CLASS 35B.
2. THE FRAME AND COVER SHALL BE COATED WITH ASPHALTUM OR BITUMINOUS PAINT AFTER TESTING AND INSPECTION.
3. FOUNDRY IDENTIFYING MARK, HEAT AND DATE SHALL BE CAST ON THE BOTTOM OF THE COVER AND ON THE INSIDE OF THE FRAME.
4. IMPORTED COVERS AND FRAMES SHALL HAVE THE COUNTRY OF ORIGIN MARKING IN COMPLIANCE WITH FEDERAL REGULATIONS.
5. WEIGHT OF FRAME SHALL BE 30 POUNDS. WEIGHT OF COVER SHALL BE 85 POUNDS. ACTUAL WEIGHTS SHALL BE WITHIN A RANGE OF 95% TO 110%.
6. THE MANHOLE FRAME AND COVER SHALL BE INSPECTED BY THE ENGINEER PRIOR TO SHIPMENT TO THE JOB SITE. ACCEPTANCE WILL BE INDICATED BY THE AGENCY'S MARK.
7. THE PROOF-LOAD FOR TEST METHOD B OF THE STANDARD SPECIFICATIONS IS 28,600 POUNDS.

CITY OF RANCHO CUCAMONGA, CALIFORNIA

APPROVED BY: <i>Wm. Ornel</i> 6/1/92 CITY ENGINEER R.C.E. 24953	CATCH BASIN MANHOLE FRAME AND COVER DATE USE WITH STANDARD SPECIFICATIONS FOR PUBLIC WORKS CONSTRUCTION	STANDARD PLAN 310 SHEET 2 OF 2
--	--	--------------------------------------