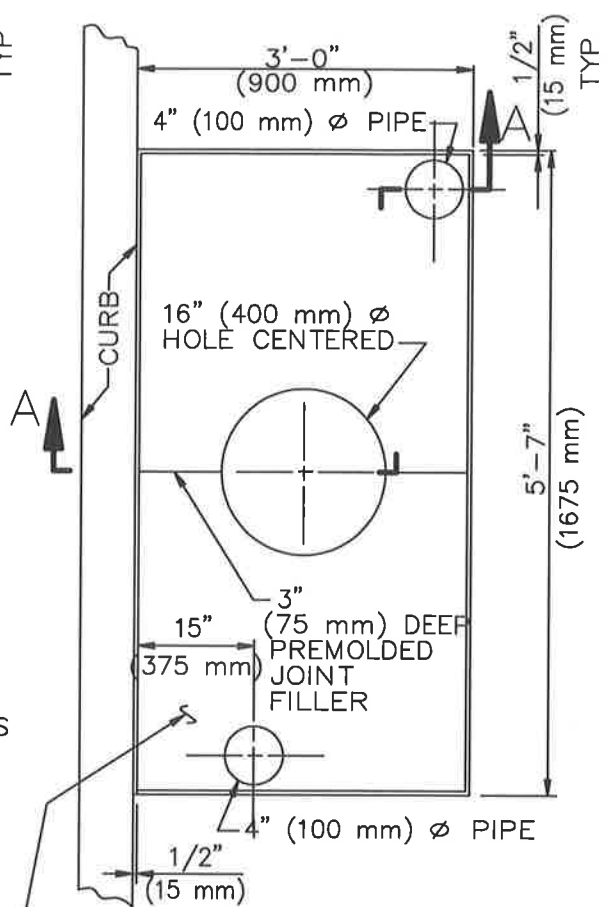
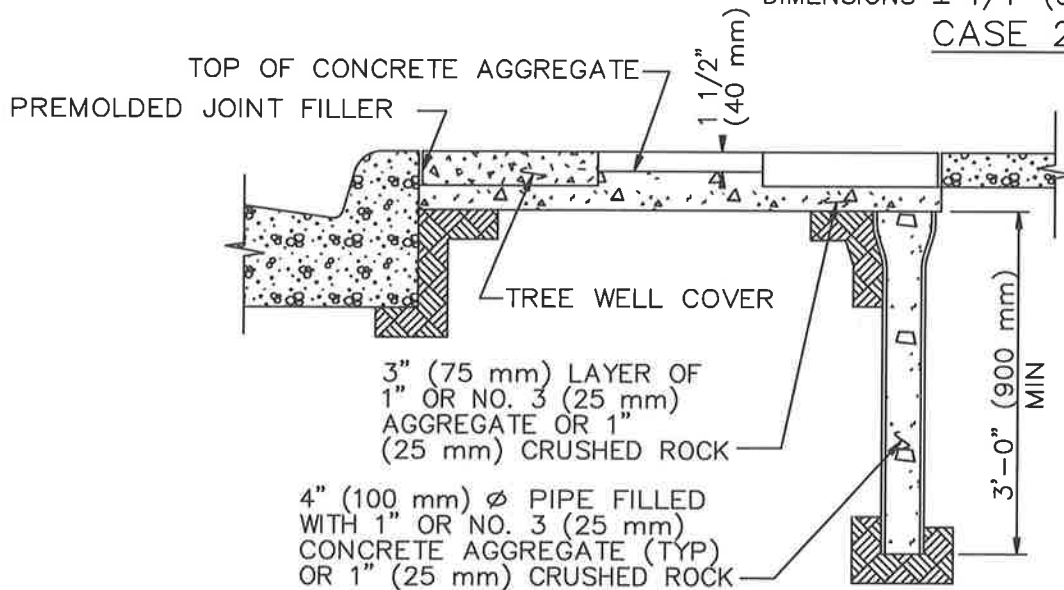


**CASE 1**



2'-11" x 5'-6" x 3" (875 mm x 1650 mm x 75 mm)  
NATURAL COLOR PERMEABLE CONCRETE TREE WELL COVER  
DIMENSIONS  $\pm$  1/4" (6 mm)

**CASE 2**



**SECTION A-A**

**NOTE:**

SEE SHEETS 3 AND 7 FOR NOTES PERTAINING TO THIS SHEET.

**TYPE 1**

STANDARD PLANS FOR PUBLIC WORKS CONSTRUCTION

PROMULGATED BY THE  
PUBLIC WORKS STANDARDS INC.  
GREENBOOK COMMITTEE  
1984  
REV. 1996, 2005, 2009

**TREE WELL**

STANDARD PLAN

**519-3**

USE WITH STANDARD SPECIFICATIONS FOR PUBLIC WORKS CONSTRUCTION

SHEET 1 OF 7