

TABLE OF DIMENSIONS

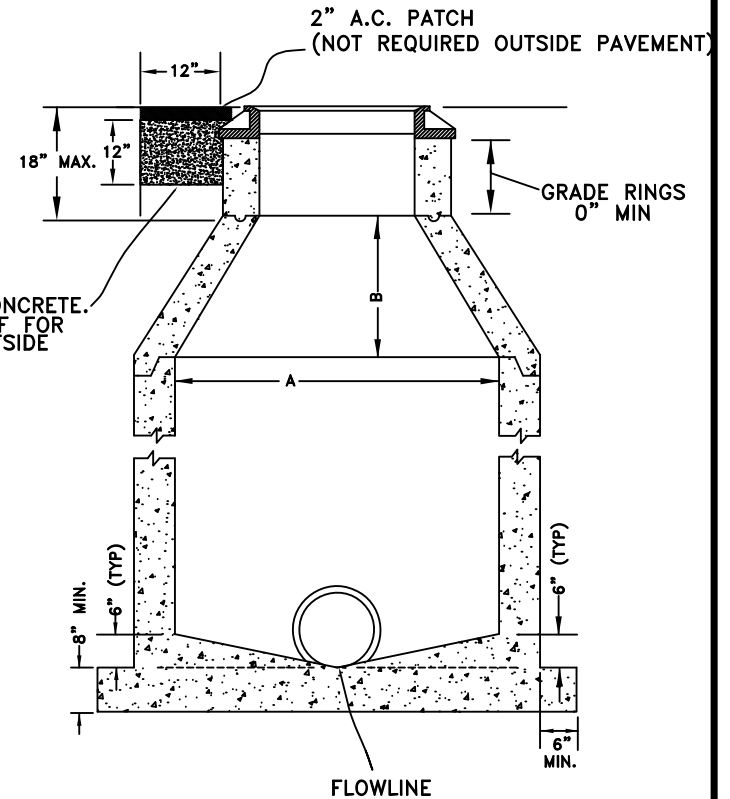
A	B	T MIN.
48"	18"	6"
60"	30"	8"
72"	42"	8"
84"	54"	12"
96"	12" (FLAT)	12"

DIMENSION "B" IS A MINIMUM DIMENSION AND MAY BE GREATER IF DEPTH PERMITS.

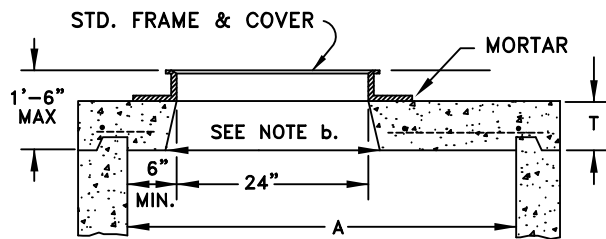
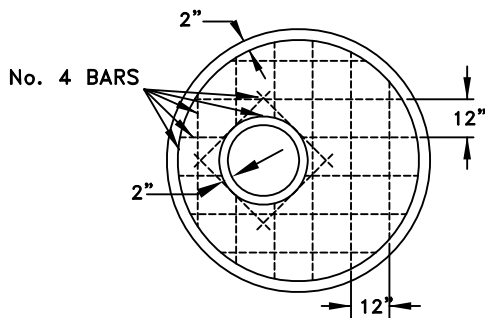
RISER SECTIONS, CONES, AND ADJUSTING RINGS SHALL CONFORM TO ASTM DESIGNATION C-478

NOTES

1. ECCENTRIC CONES SHALL BE USED WHERE SPECIFIED ON THE PLANS.
2. JOINT MAY BE EITHER KEYED OR TONGUE AND GROOVE.
3. SEE SECTION 101-8 (MATERIALS) FOR JOINT COMPOUND. (ALL MANHOLE JOINTS)
4. TOP OF FRAME SHALL BE 1/8 INCH BELOW ADJACENT PAVEMENT
5. 0.20 FOOT MINIMUM FALL THROUGH MANHOLE.
6. O.D. OF PIPE SHALL NOT EXCEED I.D. OF ITS MANHOLE BARREL



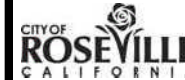
CLASS A, 6 SACK NON-REINFORCED CONCRETE. SEE SECTION 101-4F FOR CASTING HEIGHT OUTSIDE PAVEMENT.



- a. A FLAT TOP SLAB SHALL BE USED WHEN A SHALLOW LINE DOES NOT PERMIT USE OF A TAPERED DOME.
- b. IF THE BOTTOM, INSIDE DIAMETER OF THE FLAT TOP OPENING IS 28 INCHES OR MORE, THE THICKNESS OF THE SLAB MAY BE DISREGARDED IN COMPUTING THE MAXIMUM 18 INCH HEIGHT OF THE OPENING.

FLAT TOP SLAB

ROB JENSEN
DIRECTOR OF PUBLIC WORKS/CITY ENGINEER



DEPARTMENT OF
PUBLIC WORKS

STANDARD PRECAST MANHOLE
(DRAINAGE)

SCALE: NONE
REVISED: MARCH 2007
DRAWN BY: STAFF
APPROVED BY: R JENSEN

DR-4