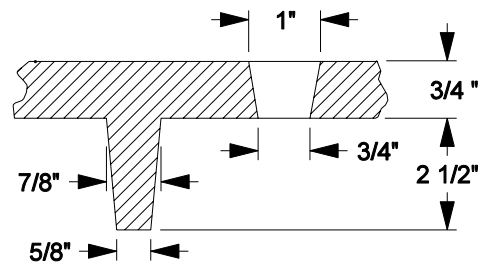
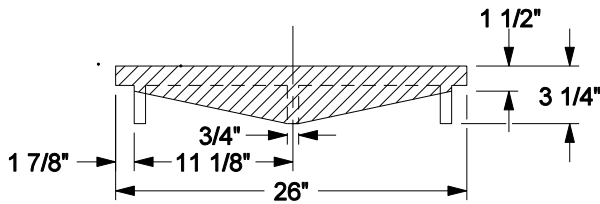


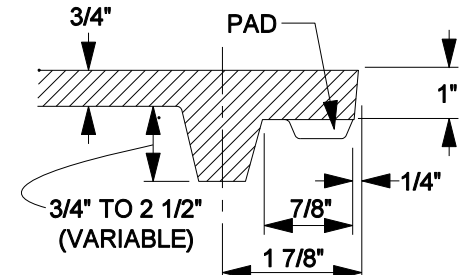
MANHOLE COVER
(2 COVERS REQUIRED PER FRAME)



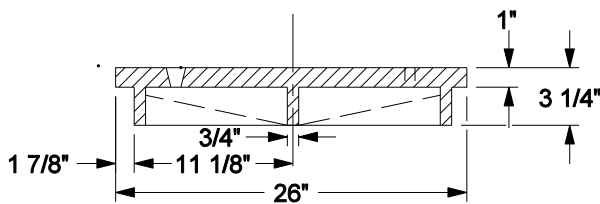
SECTION C-C



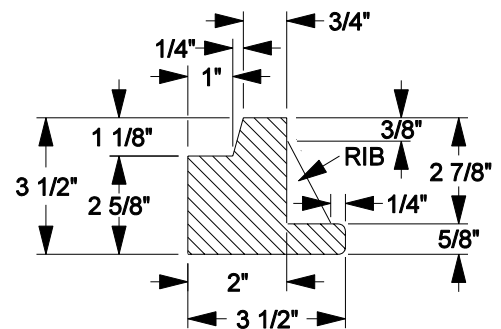
SECTION A-A



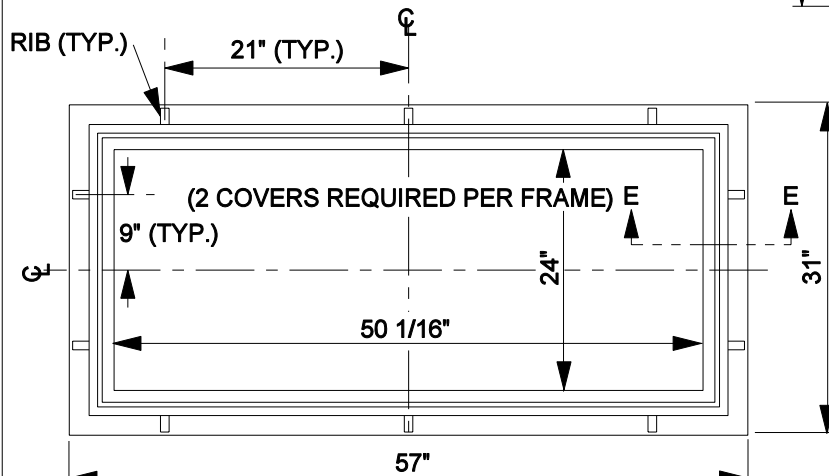
SECTION D-D



SECTION B-B



SECTION E-E



MANHOLE FRAME

NOT TO SCALE

**EXPOSED METAL & COVER
TO BE GALVANIZED AFTER
FABRICATION.**

APPROVED BY:

DATE: 11/15/04

DIRECTOR OF TRANSPORTATION
GEORGE A. JOHNSON, RCE 42328

COUNTY OF RIVERSIDE

**RECTANGULAR
MANHOLE
FRAME AND COVER**

STANDARD NO. 611

REVISIONS	REV.	BY:	APR'D	DATE	REV.	BY:	APR'D	DATE
8-77	1				4			
	2				5			
	3				6			