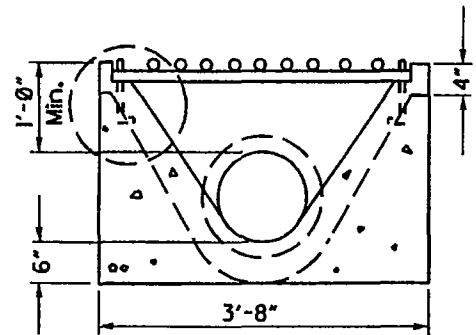
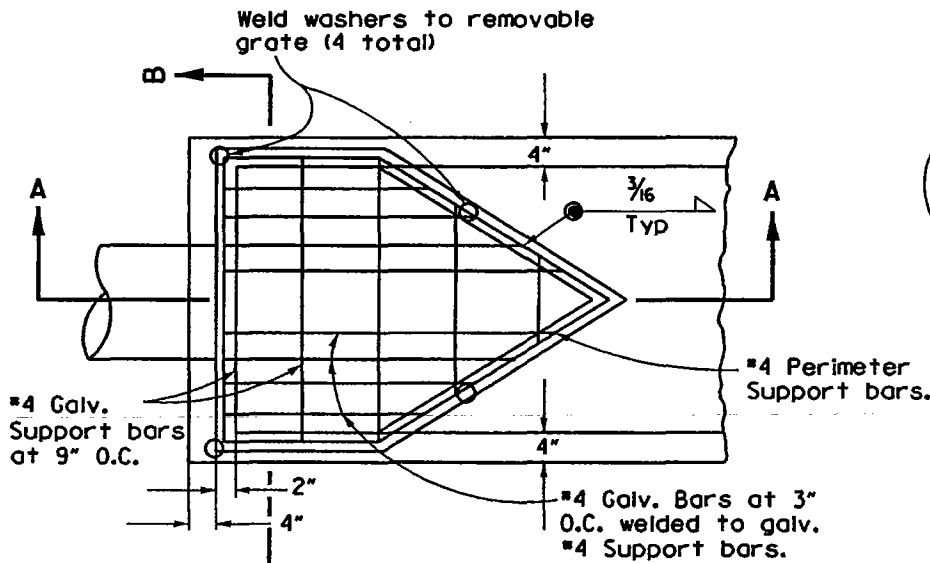


SECTION A-A

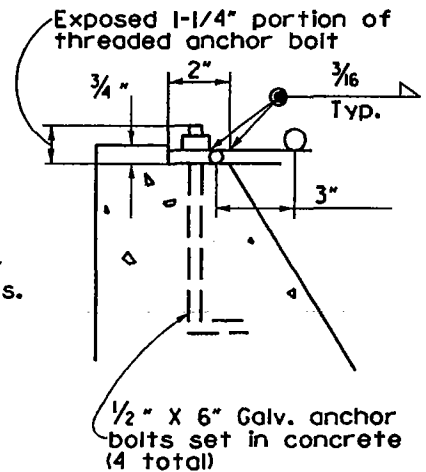
Down drain (See Std. Plan 1321, Sht. 2 of 3)



SECTION B-B



PLAN VIEW



NOTES:

1. Ground shall be pre-wetted to the satisfaction of the Building Official prior to placement of concrete.
2. Material for construction of down drain shall be concrete reinforced with 6" x 6" W1.4 x W1.4 welded wire fabric.
3. Down drain to pipe transition shall not be used within public road right-of-way.
4. Grate shall be hot dip galvanized after fabrication.

ORANGE COUNTY RESOURCES & DEVELOPMENT MANAGEMENT DEPARTMENT

Approved

H. I. Nakasone
H. I. Nakasone, Chief Engineer

STD. PLAN

Adopted: Res. 82-718 Revised: Res. 06-010

1331

DOWNDRAIN TO PIPE TRANSITION

SHT. 1 OF 1