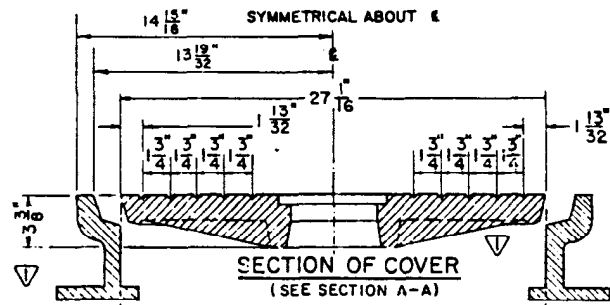
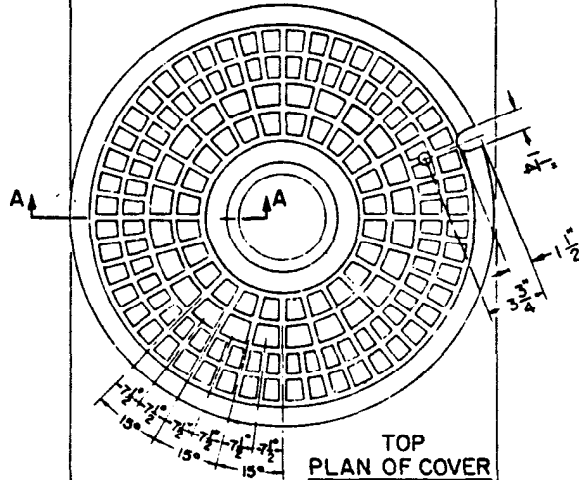


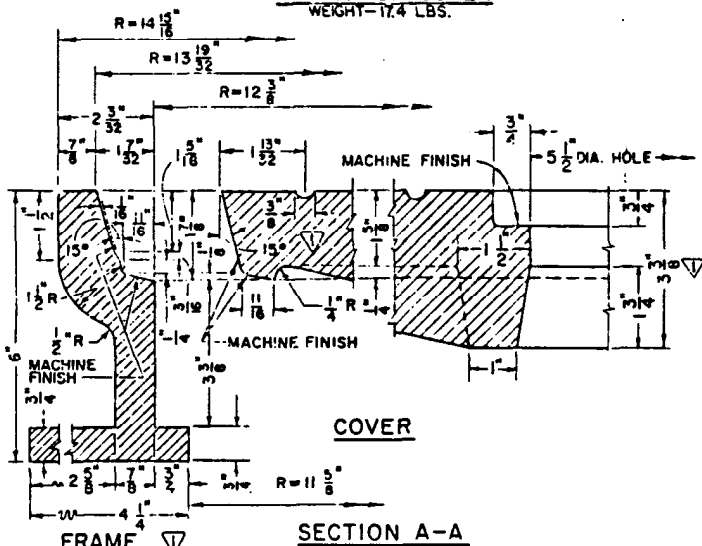
INSPECTION COVER
WEIGHT - 17.4 LBS.



SECTION OF COVER
(SEE SECTION A-A)

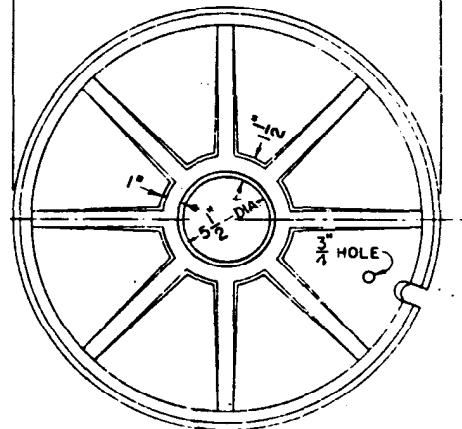


TOP PLAN OF COVER



SECTION A-A

FRAME
WEIGHT - 196 LBS.



BOTTOM PLAN OF COVER
WEIGHT - 249 LBS.

NOTES:

1. ALL PARTS SHOWN HEREON SHALL BE GREY CAST IRON CONFORMING TO SECTION 206-3 OF THE STANDARD SPECIFICATIONS
2. HOLES SHALL BE PLUGGED PRIOR TO CASTING OR DRILLED AFTER CASTING. THEY SHALL NOT BE PUNCHED.
3. THE WEIGHTS OF THE PARTS SHALL NOT VARY MORE THAN TWO PERCENT FROM THOSE GIVEN HEREON.
4. ALL PARTS SHALL BE GIVEN AN ASPHALTIC COATING CONFORMING TO SECTION 206-3.6 OF THE STANDARD SPECIFICATIONS AFTER FABRICATION.

DEPARTMENT OF PUBLIC WORKS

BUREAU OF ENGINEERING

CITY OF LOS ANGELES

SANITARY DISPOSAL MANHOLE FRAME AND COVER

**STANDARD PLAN
S-151-1**

SUBMITTED *May 30, 1972*

Clifford M. Wright
ENGINEER OF DESIGN
Robert S. Levine
DEPUTY ENGINEER

REVISIONS

NO.	DATE	DESCRIPTION	ENGR OF DESIGN	CITY ENGR
1	11-3-80	CORRECTED DIMENSIONS, ADDED FRAME DETAIL, CHANGED TITLE.	<i>Robert S. Levine</i>	<i>James C. Sullivan</i>

SUPERSEDES REFERENCES

B-2855
B-3660
B-3969

APPROVED *June 4, 1972*

Ronald R. Williams
CITY ENGINEER

DESIGNED BY: LIE
DRAWN BY: RGM
CHECKED BY: LJM

VAULT INDEX NUMBER B-4005

SHEET 1 OF 1 SHEETS