

REVISIONS

APPROVALS

DESCRIPTIONS

BY

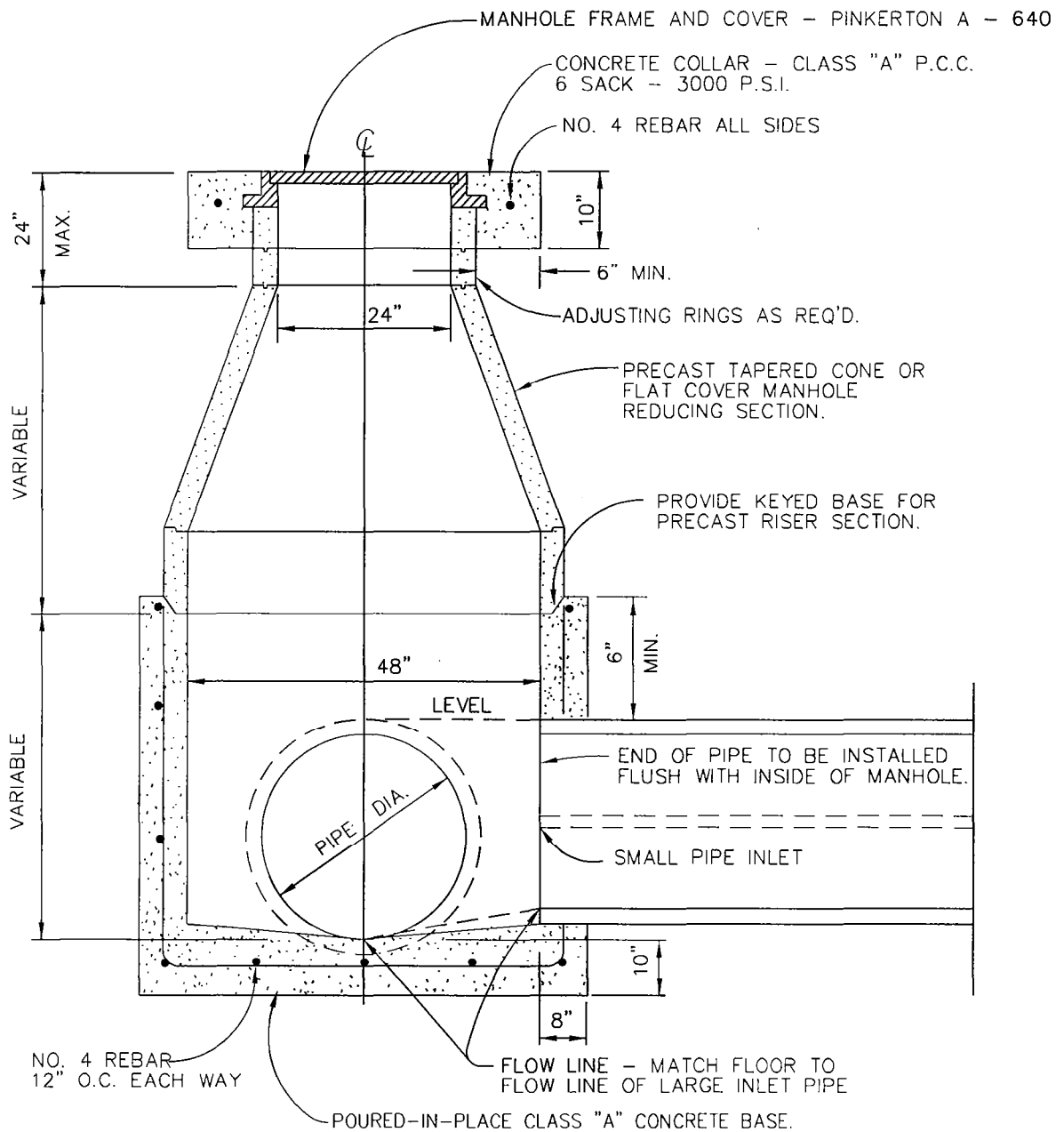
DATE

APPROVED

COUNCIL RESOLUTION NO. 26-92

3/10/92

- NOTE:
1. PRECAST PIPE, ADJUSTING RINGS AND TAPERED SECTIONS SHALL BE CONSTRUCTED IN ACCORDANCE WITH STATE STANDARDS FOR CLASS 2 REINFORCED CONCRETE.
 2. ALL JOINTS BETWEEN PRECAST SECTIONS SHALL BE MORTARED.
 3. INTERIOR OF THE MANHOLE SHALL HAVE A SMOOTH TROWELED SURFACE.
 4. MANHOLE COVER SHALL HAVE THE WORDS "STORM SEWER" MOLDED INTO THE COVER.



DRAWN BY:
R.A.L.
DESIGNED BY:
S.J.S.
DATE:
2/27/92
FILE NAME:
AT501.DWG

CITY OF ATASCADERO
ENGINEERING DEPARTMENT

DRAWING NO.

STORM DRAIN MANHOLE

501