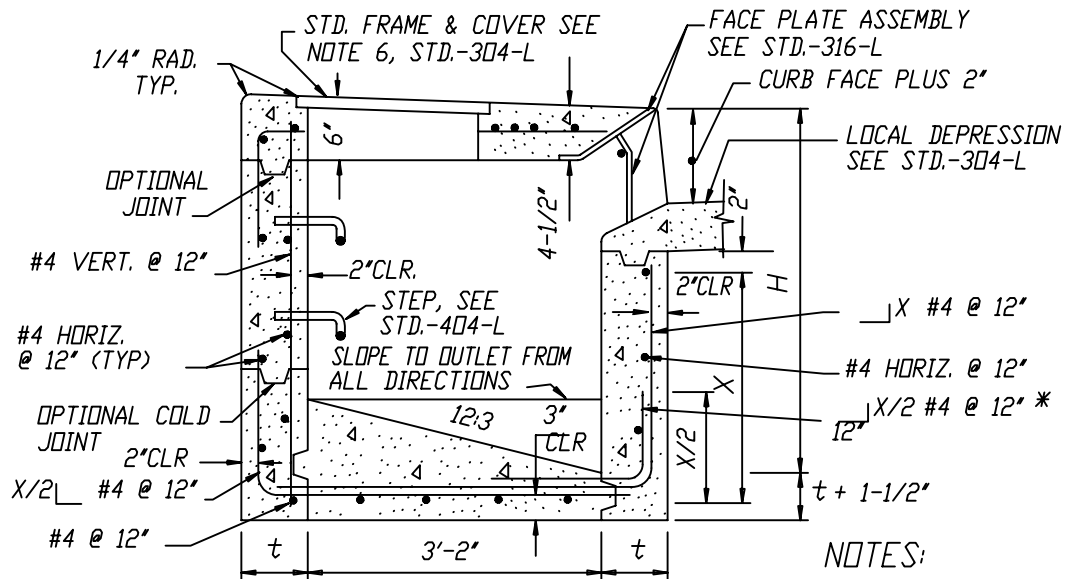


HALF PLAN
SYMMETRICAL ABOUT A-A

H	L	t
8' OR LESS	3'6" to 21'-0"	8"
8'-1" TO 12'	3'6" to 21'-0"	10"
8' OR LESS	21'-1" OR GREATER	10"



SECTION A-A

NOTES:

1. FOR GENERAL NOTES AND LOCAL DEPRESSION SEE STD.-304-L.
2. FOR H GREATER THAN 8' AND L GREATER THAN 21'-1" SPECIAL DESIGN REQUIRED.
3. *DELETE WHEN H IS LESS THAN 8'

REFS. STDS. 300-L; 304-L; 316-L AND 404-L.
REV. 9/93

CITY OF NEWPORT BEACH
PUBLIC WORKS DEPARTMENT

APPROVED:

CURB INLET
TYPE OL-A

DIRECTOR OF PUBLIC WORKS
R.C.E. NO. 12806

DATE	22 Sep 1993	SCALE	N.T.S.
DRAWN	M. GRACIA	STD-305-L	