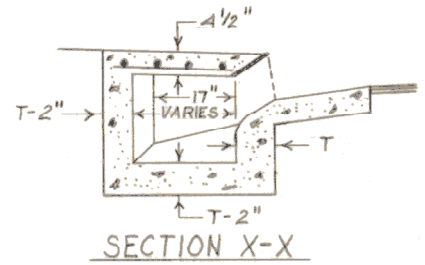
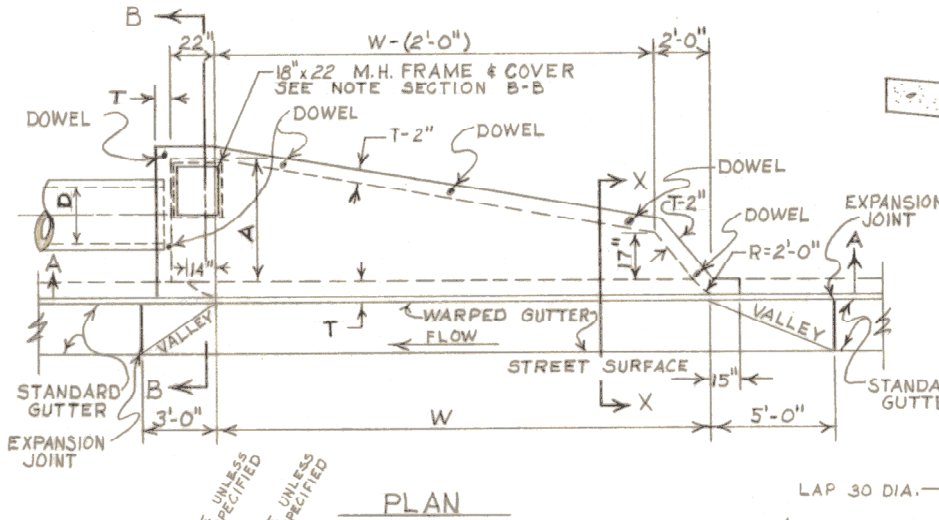


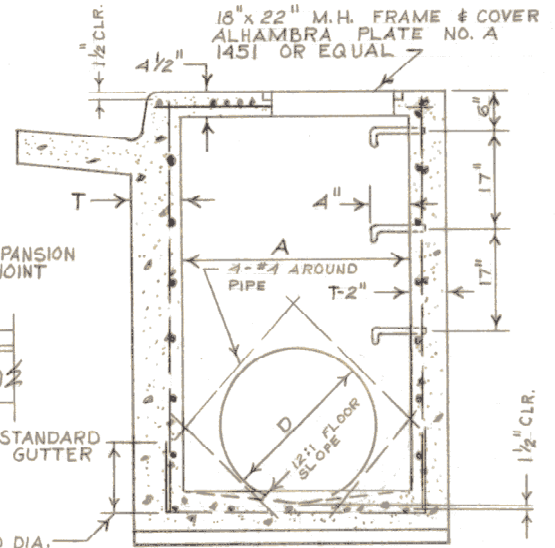
**TOP SLAB REINFORCING PLAN**



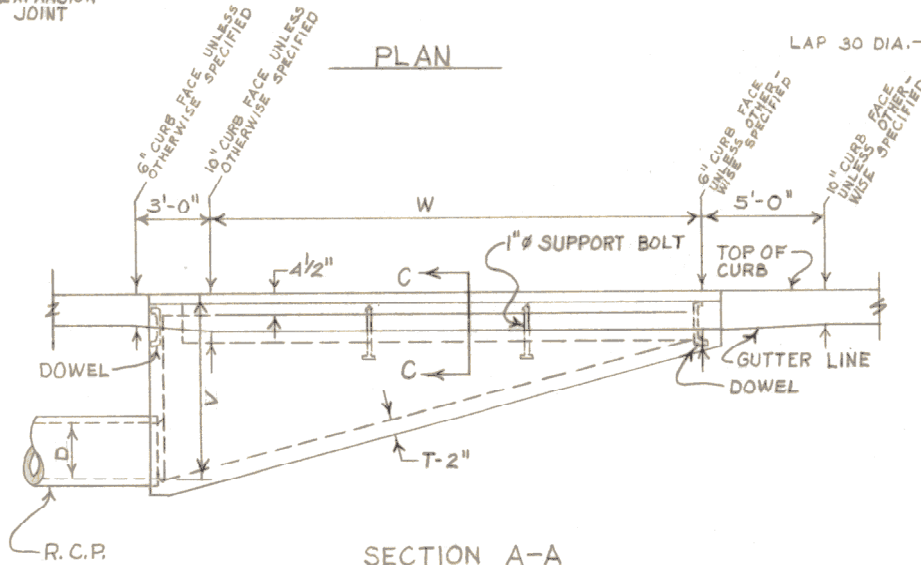
**SECTION X-X**



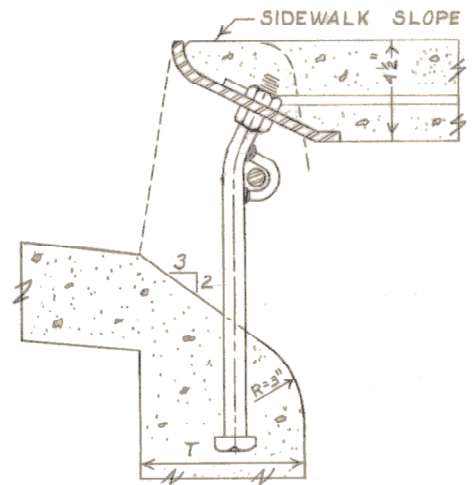
**PLAN**



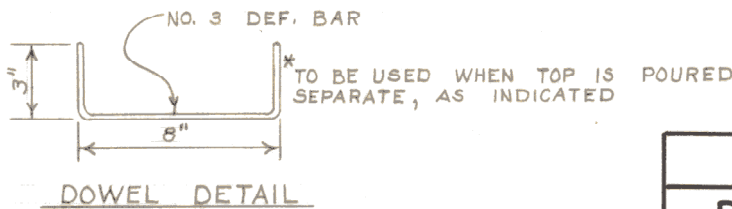
**SECTION B-B**



**SECTION A-A**



**SECTION C-C**



**DOWEL DETAIL**

- NOTE:**
1. ALL HORIZONTAL AND VERTICAL STEEL IN WALLS AND FLOOR TO BE #4 @ 12" O.C. BOTH WAYS, WITH 1/2" CLEARANCE BETWEEN INTERIOR SURFACE OF WALLS AND REBAR. ALSO 1/2" CLEARANCE BETWEEN TOP OF BASIN SLAB AND REBAR.
  2. PROVIDE FOUR LOCKING BOLTS FOR MANHOLE COVER.

REVISED: 7/28/88

<b>CITY OF INDIO</b>		
<b>DEPARTMENT OF PUBLIC WORKS</b>		
<b>STORM WATER CATCH BASIN</b>		
DATE <b>NOV. 1977</b>	SCALE <b>NONE</b>	DWG.# <b>SS-35A</b>
APPD. <i>[Signature]</i>	DWN. BY <b>G.H.</b>	SH. <b>1</b> OF <b>3</b>



**DIMENSIONS:** T = 8 inches if V is less than 8 feet.  
T = 10 inches if V is 8 feet or more.  
V = As specified on plan.  
W = As specified on plan.  
D = As specified on plan.  
A = D plus 12 inches.

**CONCRETE:** Concrete shall be Class A, Portland Cement concrete (6-0 Sack).

**REINFORCING STEEL:** Shall be No. 4 bars, unless otherwise specified. Clearance shall be as called for on Standard Drawing - SS-35 A.

**STEPS:** 3/4 inch plain round galvanized steel steps with drop step (17 inches apart) required when V is greater than 4 feet 6 inches. The top step shall be 6 inches below the surface and shall be 2-1/2 inches from the wall. Only one step (12 inches from bottom) if V is 4 feet 6 inches or less. Step shall be anchored not less than 4 inches in wall of basin.

**SUPPORT BOLT:** For details, see Standard Drawing - SS-35 B.

**FLOOR:** Of basin shall be given a steel trowel finish and shall slope from all directions to the outlet.

**SURFACE:** Of all exposed concrete shall conform in slope, grade, color, finish and scoring to existing or proposed curb and walk adjacent to the basin.

**CURVATURE:** Of the lip and sidewalks at gutter openings shall be formed by curved forms and shall not be made by plastering.

**MANHOLE:** Shall be placed along back wall near outlet.

**OUTLET:** Pipe shall be trimmed to the final shape and length before concrete is poured.

<b>CITY OF INDIO</b>		
<b>DEPARTMENT OF PUBLIC WORKS</b>		
<b>STORM WATER CATCH BASIN SPECIFICATIONS</b>		
<b>DATE</b> <u>NOV. '77</u>	<b>SH.</b> <u>3</u> <b>OF</b> <u>3</u>	<b>DWG.</b> <u>SS-35C</u>