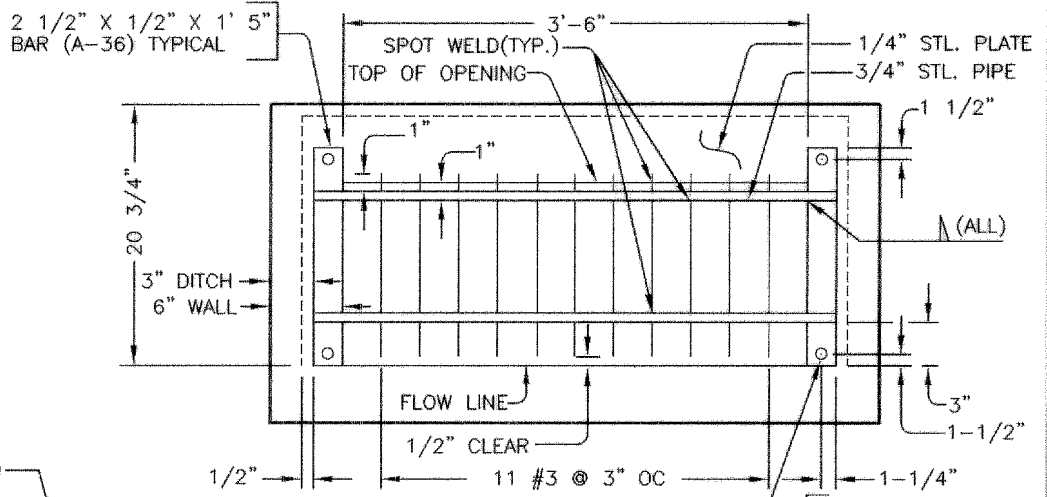
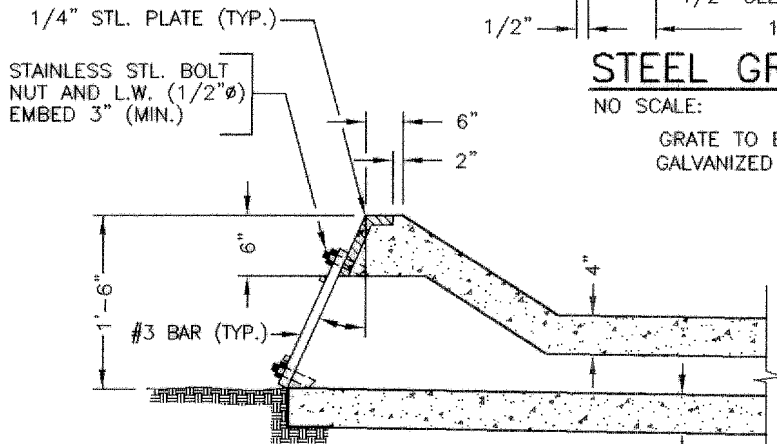


**SECTION "A-A"**  
NO SCALE

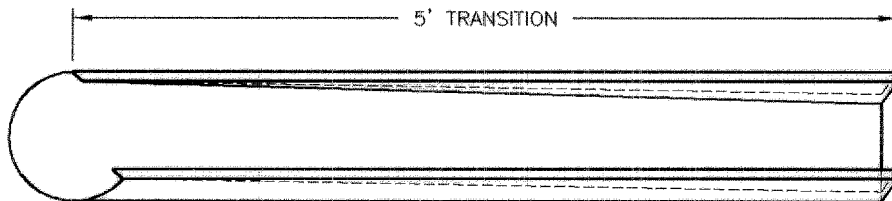


**STEEL GRATE DETAIL**  
NO SCALE:

GRATE TO BE HOT DIPPED GALVANIZED AFTER FABRICATION



**DETAIL "A"**  
NO SCALE



**BROW DITCH TRANSITION DETAIL**  
NO SCALE

Revised:	Original approval date: 12-13-90	CITY OF CHULA VISTA PUBLIC WORKS DEPARTMENT	
9-06-01 CVM	Redrawn By: ARR Date: 7-26-95		
	<i>Edvard Swenson</i>	SIDEWALK UNDERDRAIN (OPEN CHANNEL)	CVCS 17 SHT 2 OF 2
	CITY ENGINEER Date: 11-7-02		