

NOTES:

1. ALL CASTINGS TO CONFORM TO ASTM A48, CLASS 35B.
2. FRAME AND COVER TO MEET H-20 LOAD SPECIFICATIONS.
3. EXPOSED SURFACES OF THE CASTING WITH THE PARTS ASSEMBLED AND DISASSEMBLED SHALL BE PAINTED WITH COMMERCIAL QUALITY ASPHALTUM PAINT AFTER TESTING AND ASSEMBLY.
4. LOCKING COVER TYPE FRAME AND COVERS SHALL BE USED IN EASEMENT AREAS UNLESS OTHERWISE APPROVED.
5. SHALL NOT BE USED ON FLAT SLAB TOP MANHOLES.
6. MACHINED HORIZONTAL AND VERTICAL BEARING SURFACES NOT TO EXCEED 1/64" TOLERANCE.

SET WEIGHT	
FRAME	140 LBS
COVER	130 LBS
TOTAL	270 LBS

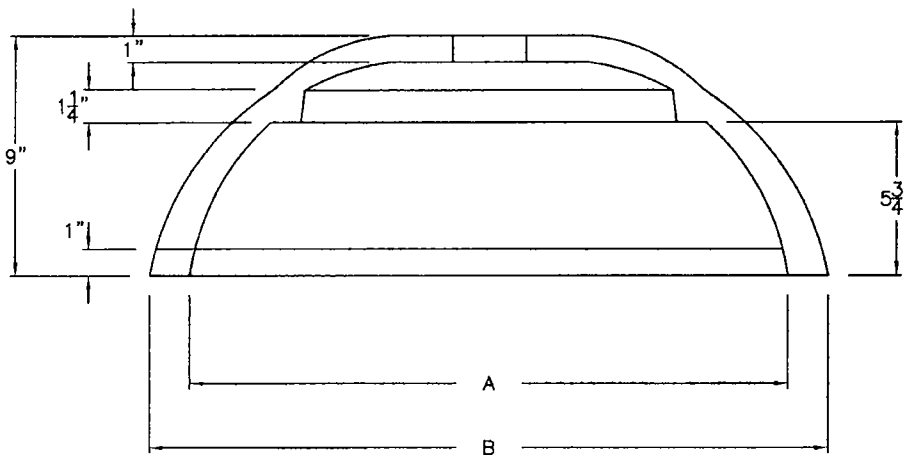
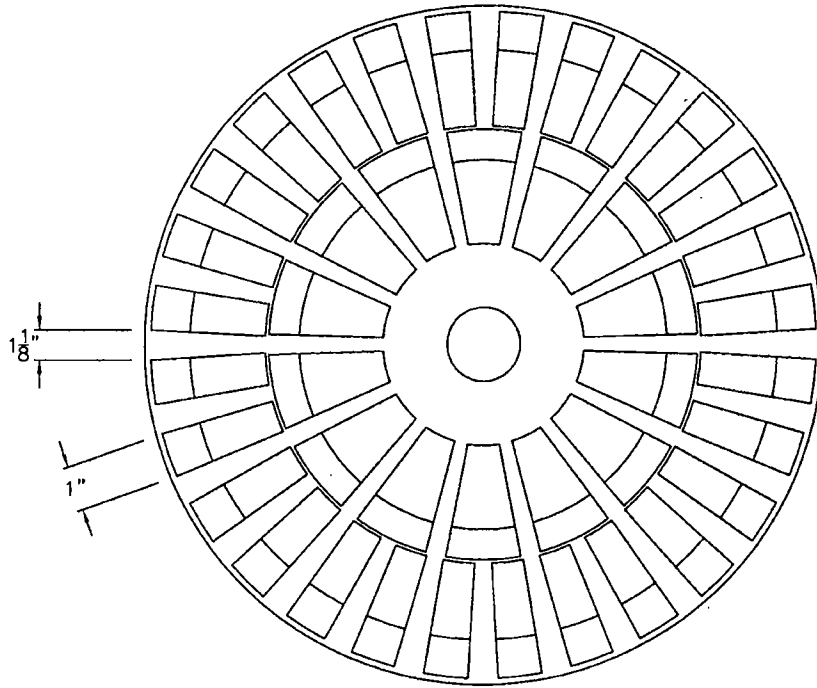
SACRAMENTO COUNTY
MUNICIPAL SERVICES AGENCY

**GREY CAST IRON
STANDARD 24" MANHOLE
FRAME & COVER**

DRAWN BY: S. PIMENTEL
SCALE: NONE
DATE: 8/07

9-9
SHEET 1 OF 2

Keith DeVore
DIRECTOR, DEPARTMENT OF WATER RESOURCES



DIMINISION TABLE

LID	A	B
24"	22 ⁵ / ₁₆ "	25 ⁵ / ₁₆ "
36"	35 ¹ / ₄ "	38 ¹ / ₄ "

GENERAL NOTES:

1. CAST IRON TO CONFORM TO ASTM A-48, CLASS 30B.
2. NOT TO BE USED IN COUNTY RIGHT-OF-WAY.
3. EXPOSED SURFACES OF THE CASTING WITH THE PARTS ASSEMBLED AND DISASSEMBLED SHALL BE PAINTED WITH COMMERCIAL QUALITY ASPHALTUM PAINT AFTER TESTING AND ASSEMBLY.
4. LOCKING COVER TYPE FRAME AND COVERS SHALL BE REQUIRED UNLESS OTHERWISE APPROVED.

Scott DeVore
 DIRECTOR, DEPARTMENT OF WATER RESOURCES

SACRAMENTO COUNTY
 MUNICIPAL SERVICES AGENCY

**STANDARD 24"/36"
 MANHOLE COVER**

DRAWN BY: S. PIMENTEL
 SCALE: NONE
 DATE: 04/07

9-9
 SHEET 2 OF 2