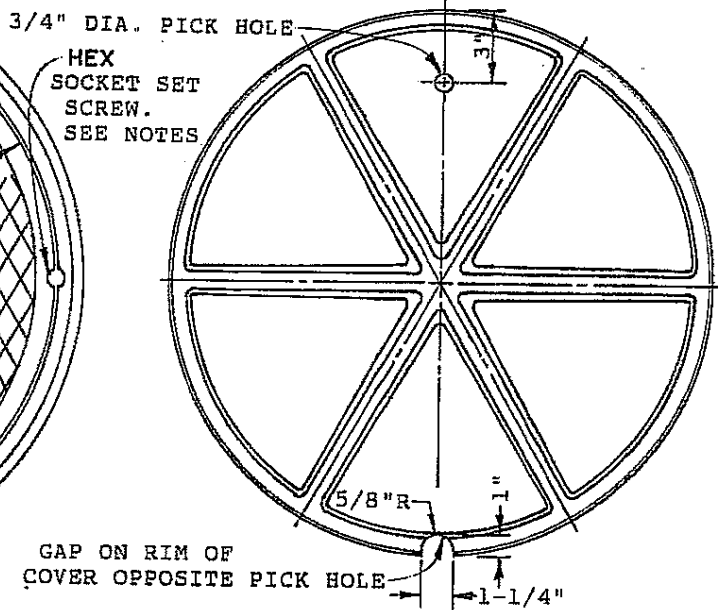
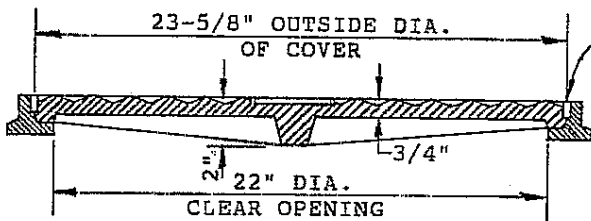


TOP OF MANHOLE FRAME & COVER



BOTTOM OF MANHOLE COVER

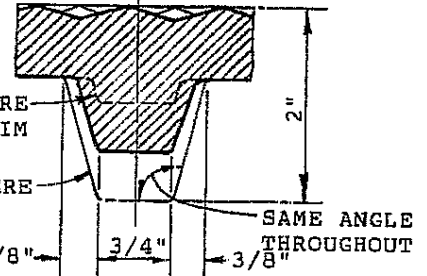


CROSS SECTION THRU FRAME & COVER

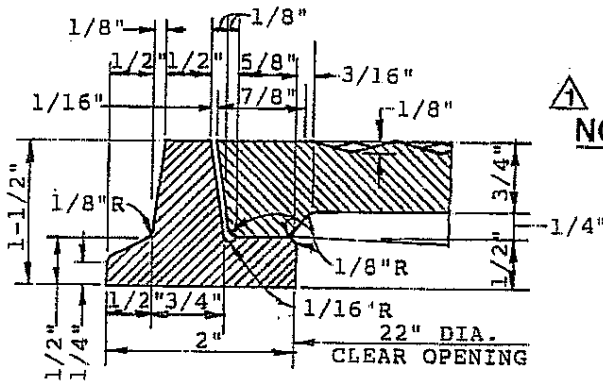
HEX SOCKET SET SCREW

OUTLINE WHERE RIB JOINS RIM

OUTLINE WHERE RIBS JOIN



CROSS SECTION THRU RIB AT MID RADIUS



CROSS SECTION THRU RIM

APPROX. WEIGHT FRAME 30 lbs. COVER 85 lbs.

NOTES:

- ① Manhole frame and cover shall be Alhambra Foundry No. A-1530 or approved equal.
- ② Material shall conform to A.S.T.M. A48M Class 35B.
- ③ Covers shall be cast with the letter "D" for storm drain and "CITY OF CHINO" as shown on this standard.
- ④ Two 3/4" x 3/4" hex socket set screws shall be installed 90° to the pick hole in holes drilled and tapped 1" in depth as shown on this standard.
- ⑤ All parts of the frame and cover, except machined surfaces, shall be coated with asphaltum paint.
- ⑥ Catch basin manhole frame and cover shall be manufactured and installed per "Standard Plans and Standard Specifications for Public Works Construction." (latest edition)

APPROVED *Karl W. King* 1-28-00
CITY ENGINEER DATE

CITY OF CHINO
PUBLIC WORKS DEPARTMENT

DATE	REVISION	APP'D	BY
10/3/00	△ TITLE WAS "STORM DRAIN MANHOLE" - P.N. WAS A-1170 - Revised Notes - Added Note # 6	<i>[Signature]</i>	G.E.D.

STANDARD DRAWING	No.
CATCH BASIN MANHOLE FRAME & COVER	345