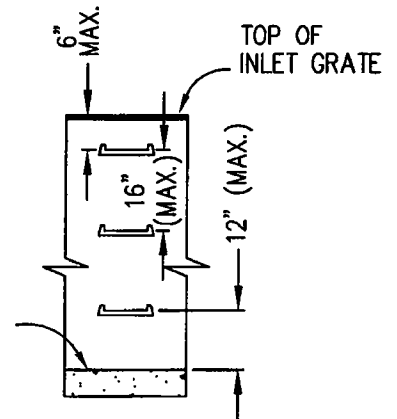


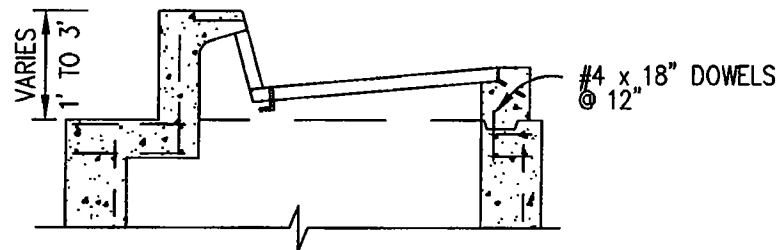
**SIDE WEEPHOLE DETAIL**

SEE NOTE 4



**STEP DETAIL**

SEE NOTE 6



**SECTION OF  
TYPE "A" OPENING**

ON MANHOLE BASE

REFER TO STD PLAN CD-407, CD-408 AND CD-409



**TYPE "A" INLET**

SCALE: NOT TO SCALE

DATE: SEPTEMBER 13, 2006

DRAWN BY: LDH

V: \CAD\NEW STANDARDS

APPROVED:

*Melissa Peterson*  
PUBLIC WORKS DIRECTOR

SHEET 4 OF 5

**CD-401**