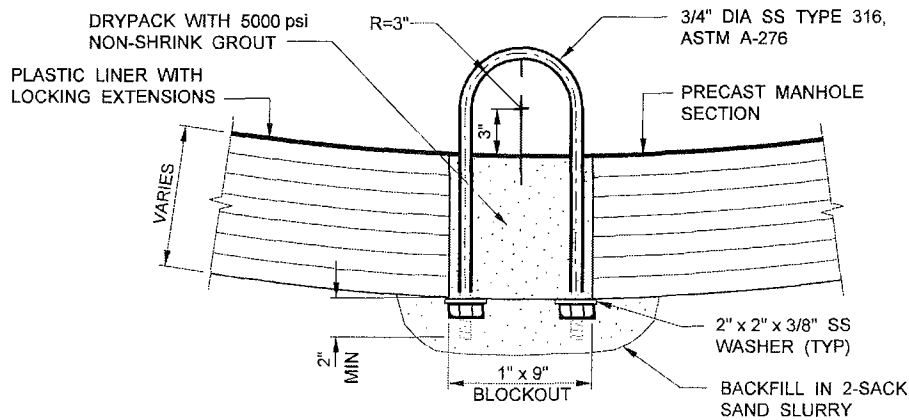
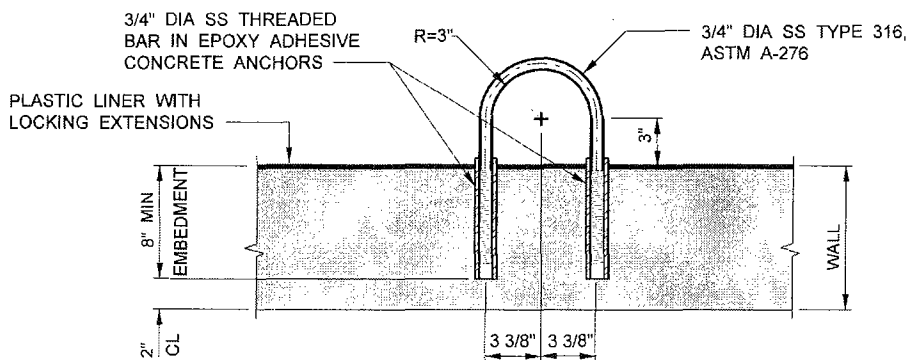


FOR CONCRETE STRUCTURE OR
TYPE "A" MANHOLE WALL



FOR PRECAST MANHOLE SECTION OR
CONCRETE WALL LESS THAN 8"



ALTERNATE PULL RING FOR
CONCRETE STRUCTURE

COUNTY SANITATION DISTRICTS OF LOS ANGELES COUNTY
OFFICE OF CHIEF ENGINEER

STEPHEN R. MAGUIN
CHIEF ENGINEER

STANDARD PULL RING

STANDARD DRAWING
2006 EDITION

S - a - 2 2 0

SHEET 1 OF 1