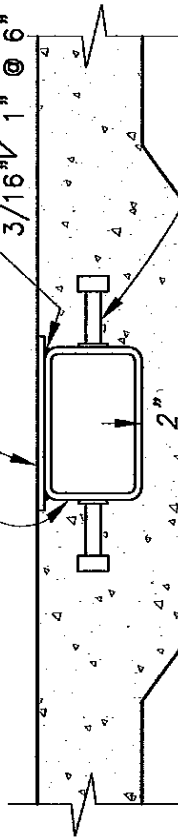


4" x 3" x 1/4" STEEL TUBE
1/8" CHAMFER BOTH ENDS

1/4" x 0'-5" CHECKER PLATE

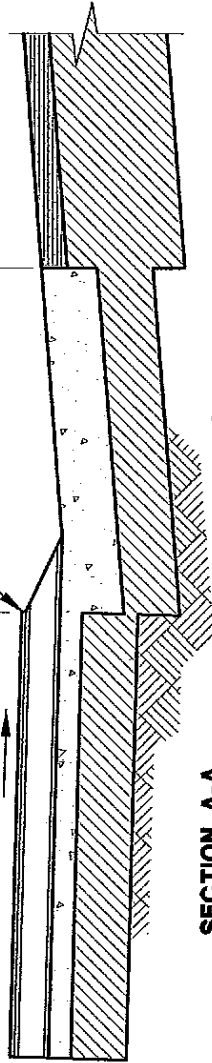
3/16" 1" @ 6"
3/16" 1" @ 6"



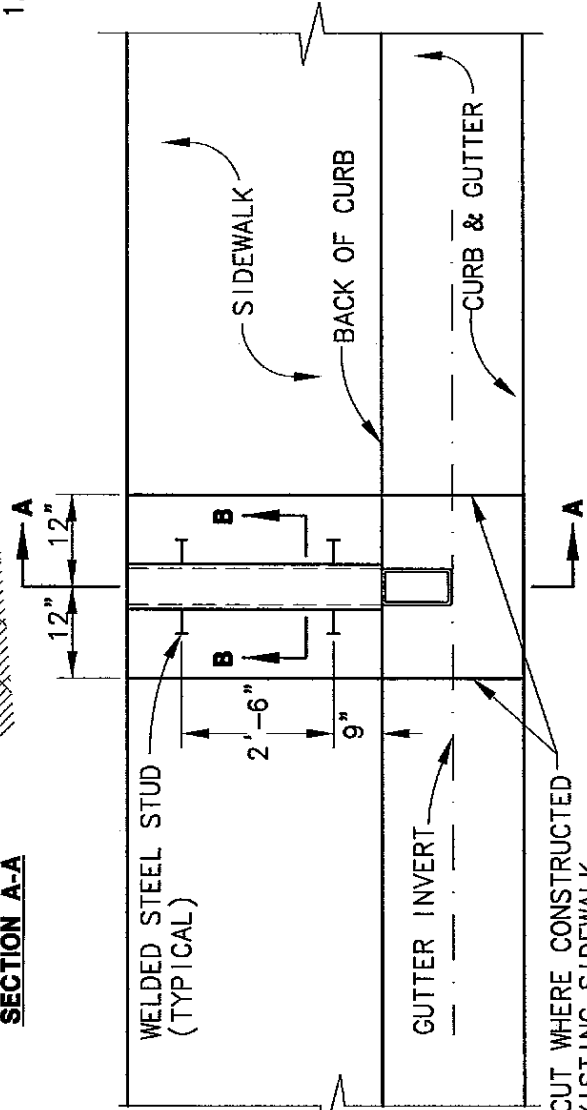
1/2" x 0'-2" WELDED
STEEL STUD, 2 REQUIRED
EACH SIDE

SECTION B-B

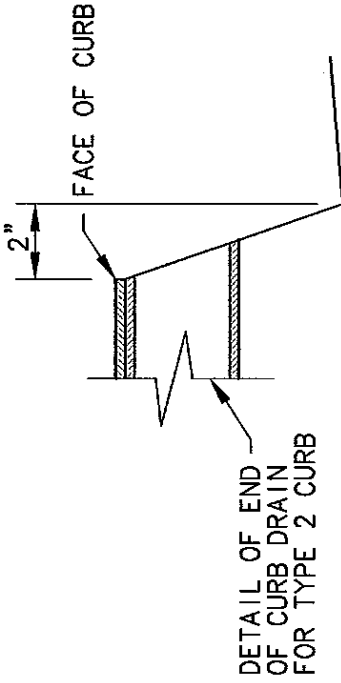
36"
BACK OF CURB
1.5%



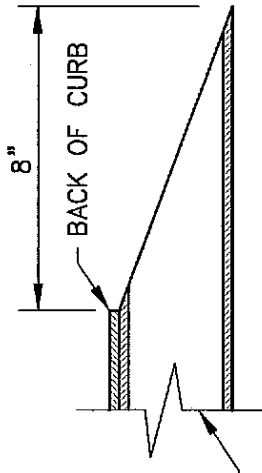
SECTION A-A



SAW CUT WHERE CONSTRUCTED
IN EXISTING SIDEWALK



DETAIL OF END
OF CURB DRAIN
FOR TYPE 2 CURB



DETAIL OF
CURB END
OF DRAIN
FOR TYPE
1A CURB

NOTE:
GALVANIZE AFTER FABRICATION

Tru P.
CHIEF, DEPT. OF TRANSPORTATION

**COUNTY OF SACRAMENTO
MUNICIPAL SERVICES AGENCY**

**UNDER
SIDEWALK DRAIN**

SCALE: NONE
DATE: 03/05
DRAWN BY: TRU P.

4-28

PLAN VIEW OF CURB, GUTTER & SIDEWALK