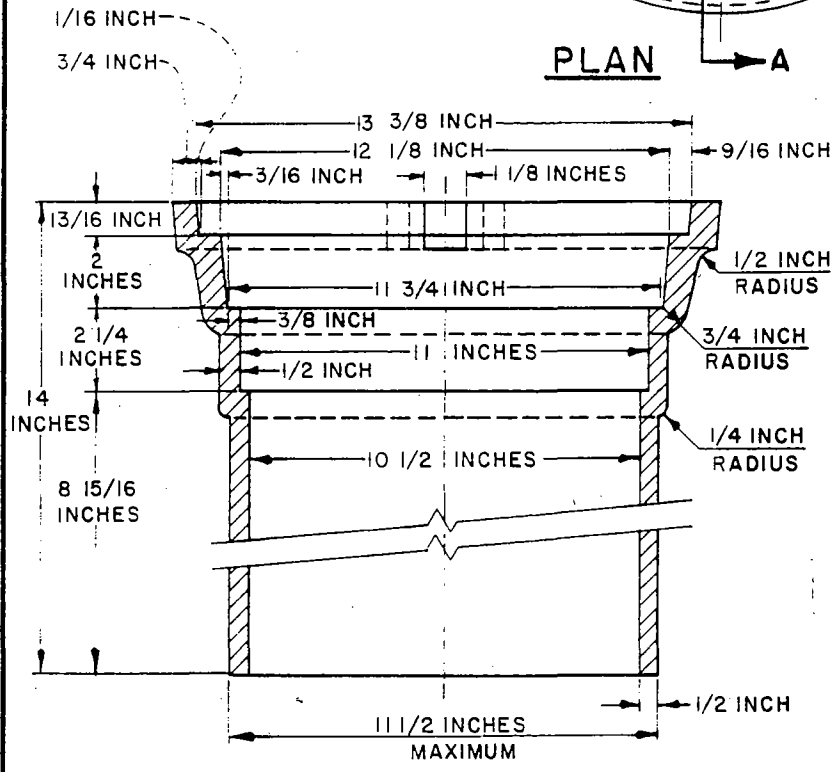
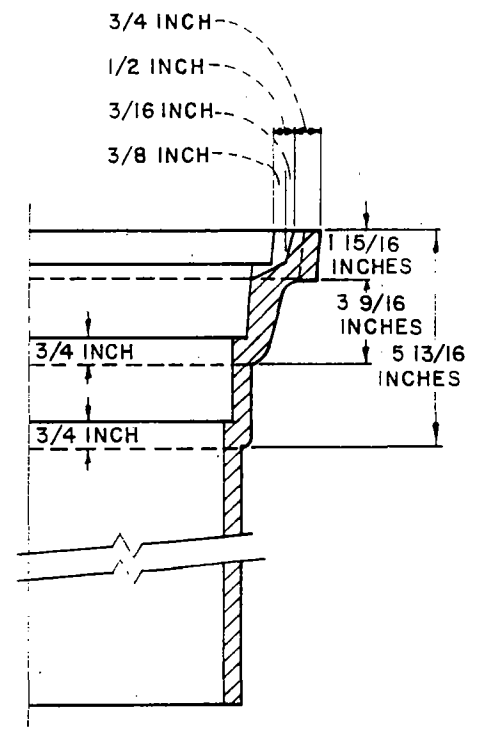


PLAN



SECTION A-A



SECTION B-B

NOTE:

LONG BEACH STANDARD HEAVY 12 INCH CAST IRON GATE BOX LID TO BE USED WITH THIS BOX. (SEE WDS-118).

LONG BEACH WATER DEPARTMENT

ADJUSTABLE GATE BOX-12-INCH

DESIGNED BY	RECOMMENDED
CHECKED BY MANABAT	<i>Stanley</i> BUREAU ENGINEER C.E. NO. 19113
DATE 3-27-87	APPROVED
SCALE NONE	<i>R.C. Lewis</i> GENERAL MANAGER C.E. NO. 16644
SUPERSEDES DWG. NO.	SHEET
A5-1140	WDS-117
DRAWN BY STANLEY	1 OF 1