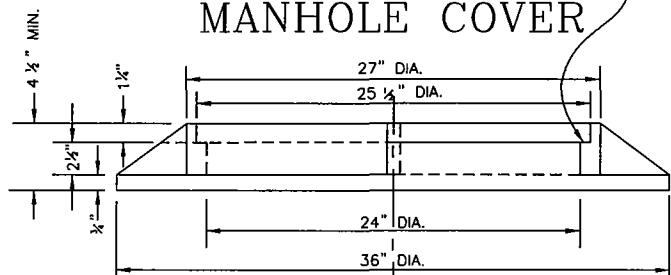
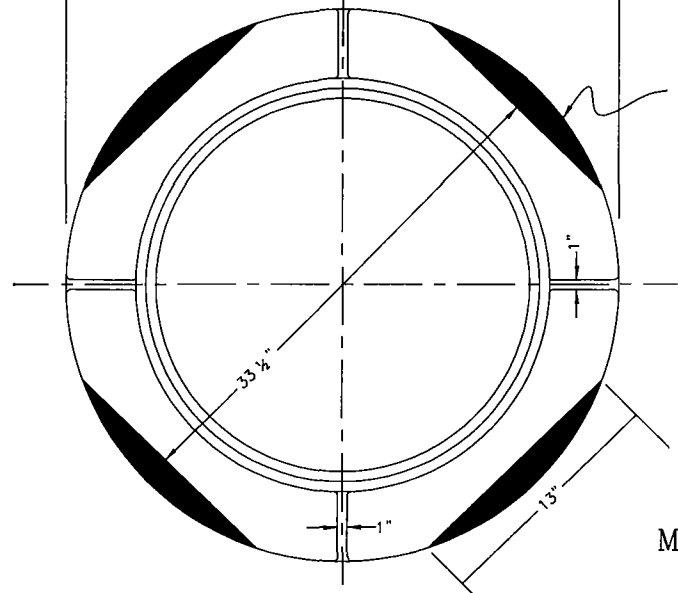


MANHOLE COVER



SHADED AREAS MAY BE DELETED



MANHOLE FRAME

SCALE: 1" = 1'-0"

MINIMUM WEIGHTS
FRAME - 191 lbs.
COVER - 147 lbs.

CAST IRON MANHOLE
FRAME & COVER

REF. & REV.
AUG. 2002

CITY OF FRESNO

S-5