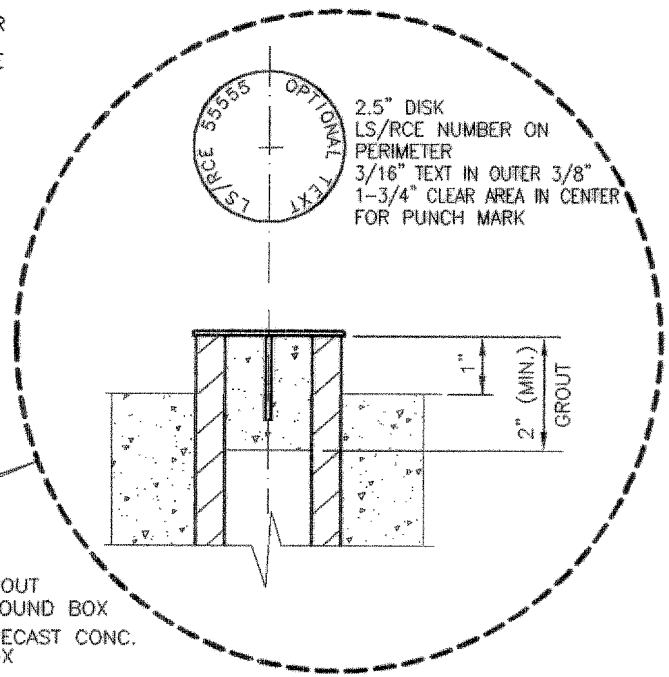
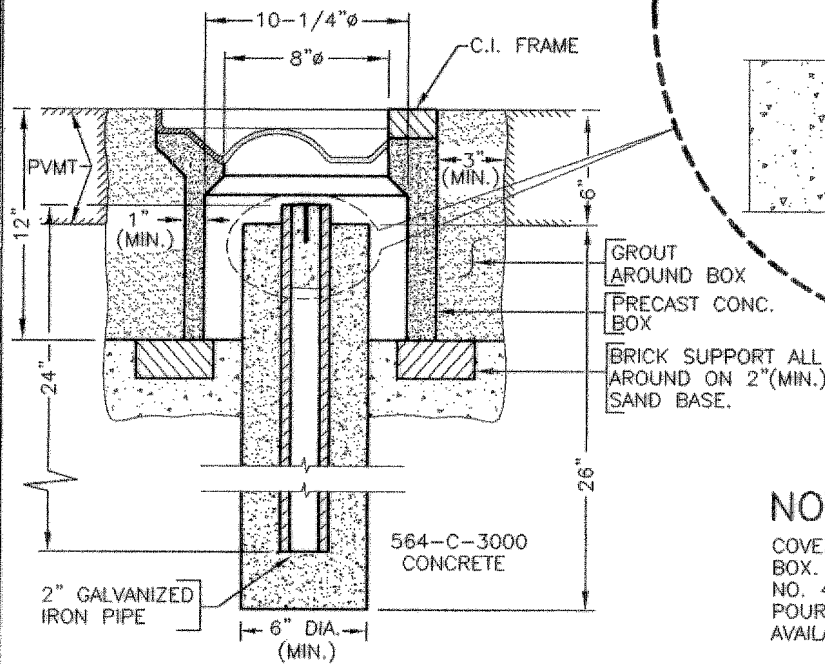


PLAN
NO SCALE



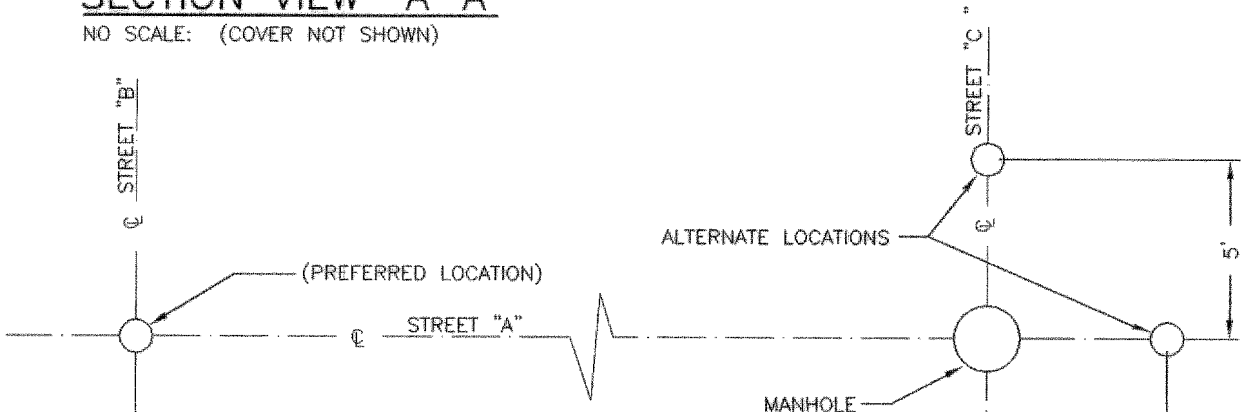
DETAIL
NO SCALE



SECTION VIEW "A-A"
NO SCALE: (COVER NOT SHOWN)

NOTE :

COVER FRAME TO BE CAST INTEGRALLY WITH PIPE BOX. BOX AND COVER ASSEMBLY TO BE BROOKS NO. 4TT (OR EQUAL). MONUMENT BASE MAY BE POURED IN PLACE OR PRECAST. RISER RINGS ARE AVAILABLE.



LOCATION OF CONTROL MONUMENTS
(AT STREET INTERSECTIONS)

Revised:	Original approval date: 7-10-75	CITY OF CHULA VISTA PUBLIC WORKS DEPARTMENT	
9-6-01 CVM	Redrawn By: ARR Date: 7-26-95		
10-29-02 CVM	<i>Clifford Swenson</i>	SURVEY MONUMENT (LOCATED IN STREET)	CVCS 15