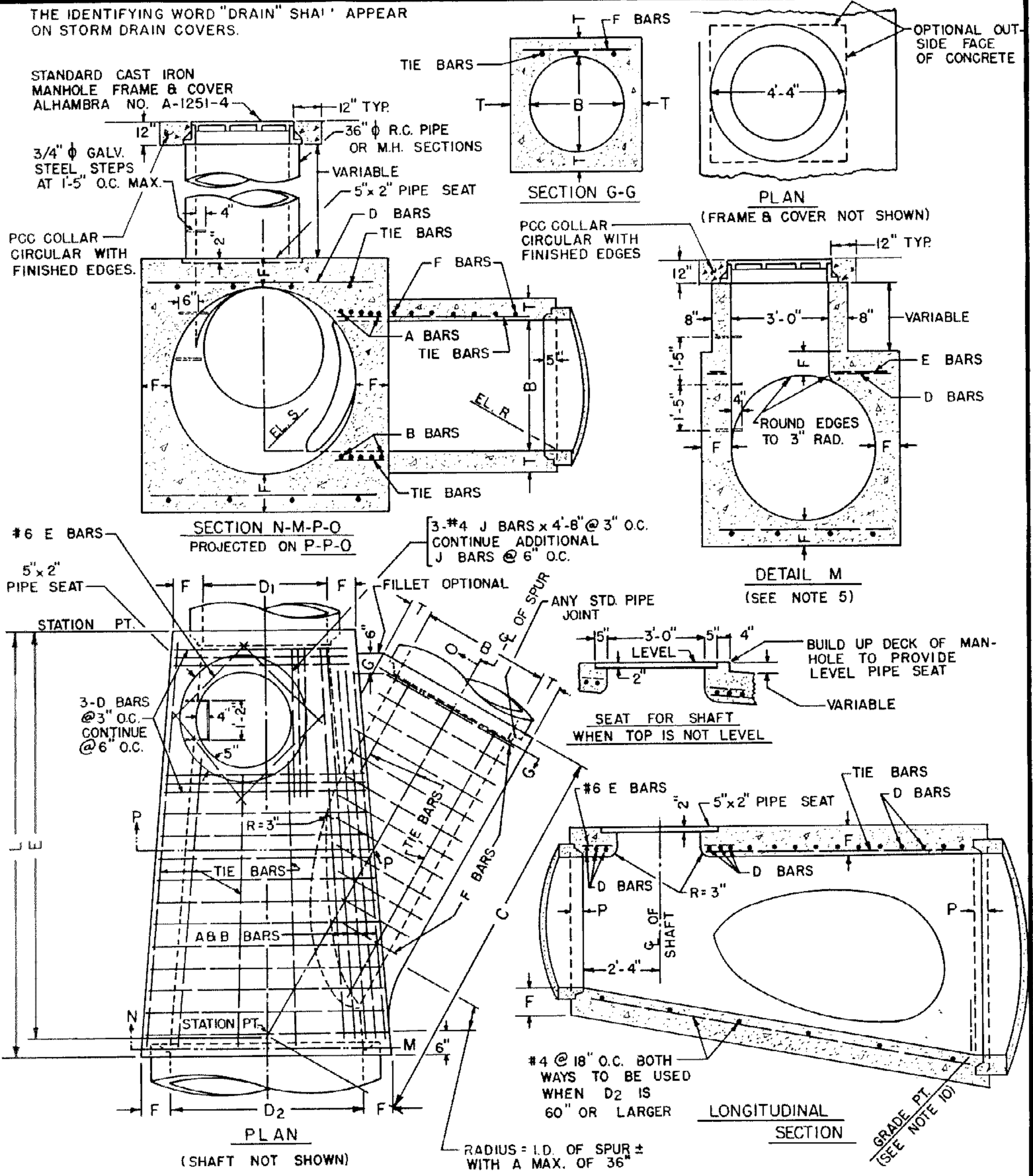


THE IDENTIFYING WORD "DRAIN" SHALL APPEAR ON STORM DRAIN COVERS.

STANDARD CAST IRON MANHOLE FRAME & COVER ALHAMBRA NO. A-1251-4



NOTE: SEE STD. 308B FOR CONSTRUCTION NOTES.

BACKFILL MATERIAL TO SUBGRADE SHALL BE SAND, PLACED A MIN. OF 2' Laterally AROUND STRUCTURE

FE OF	REVISIONS	NATURE OF
8-72	REW	COVER CHNG.
7-74	REW	BACKFILL NOTE
8-77	JEB	"DRAIN" NOTE
9-80	REW	PCC COLLAR

CITY OF SANTA ANA IMPROVMENT STANDARD

MODIFIED JUNCTION CHAMBER TYPE D

APPROVED: *P. E. Wollard* CITY ENGINEER DATE 12/19/69

STD. NO. 308A