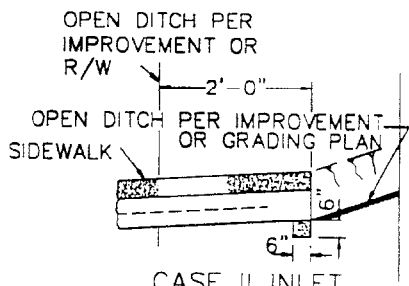


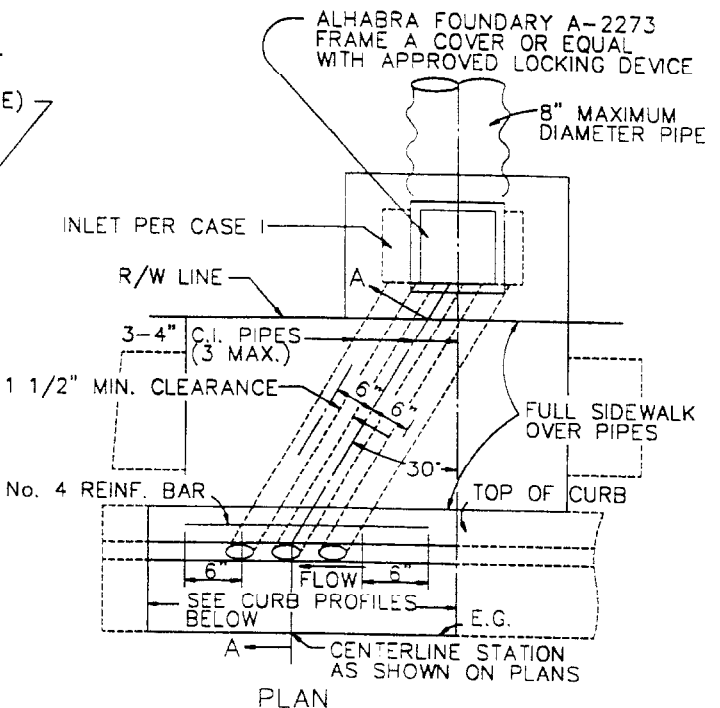
CASE I INLET
TRANSITION STRUCTURE SECTION



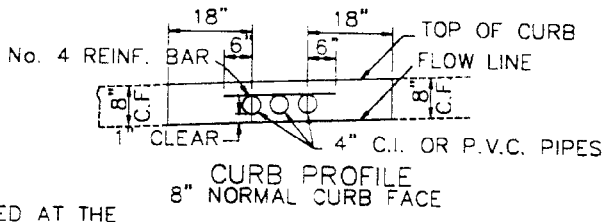
CASE II INLET

NOTES:

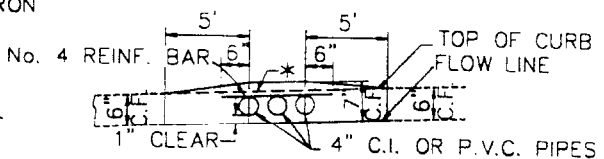
1. SEE SHEET 4 FOR DETAILS AND NOTES
2. ASBESTOS-CEMENT PIPE MAY BE SUBSTITUTED AT THE CONTRACTOR'S OPTION OR AS SPECIFIED ON THE PLANS.
3. ALHAMBRA FOUNDATION A-470 RECTANGULAR CAST IRON PIPE MAY BE SUBSTITUTED AT THE CONTRACTOR'S OPTION OR AS SPECIFIED ON THE PLANS.
4. CAST IRON FACILITIES SHALL HAVE A BITUMINOUS COATING CONFORMING TO AASHTO DESIGNATION=M190.
5. P.V.C. PIPES SHALL BE SCHEDULE 40.



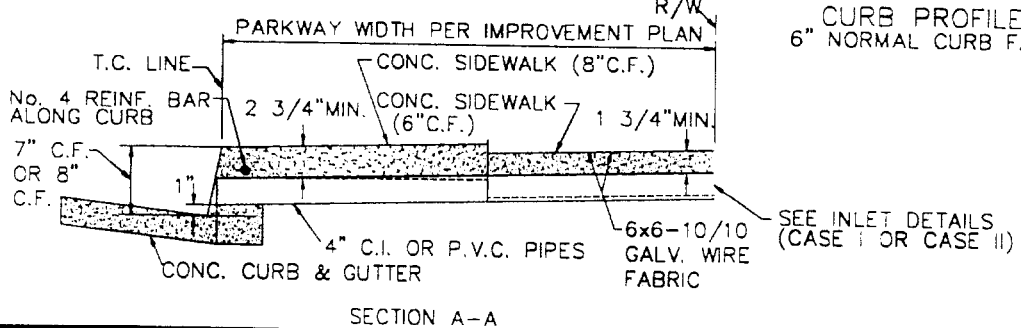
PLAN



CURB PROFILE
8" NORMAL CURB FACE



CURB PROFILE
6" NORMAL CURB FACE



SECTION A-A

CITY OF MURRIETA
DEPARTMENT OF DEVELOPMENT SERVICES

REVISIONS	
5/92	APPROVED

PARKWAY CULVERT - TYPE 'C'

STD. NO.
409c