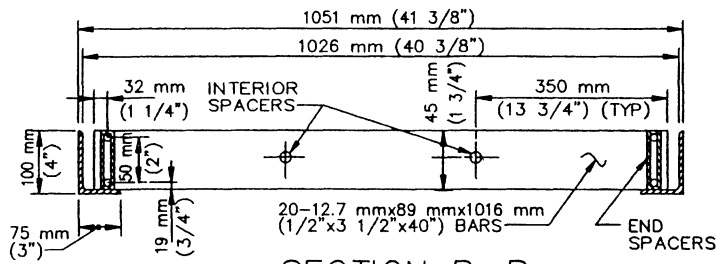
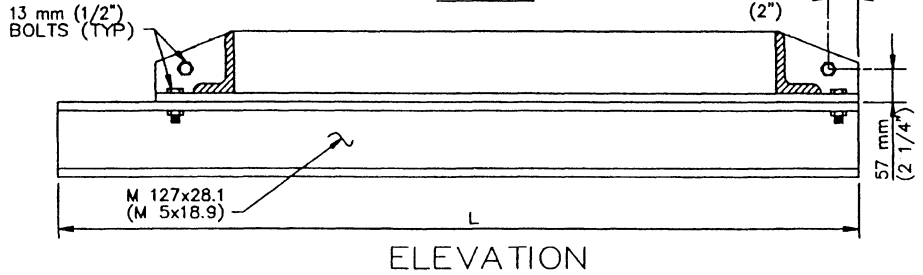
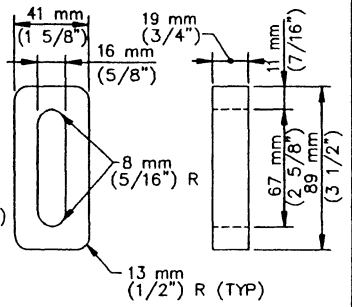
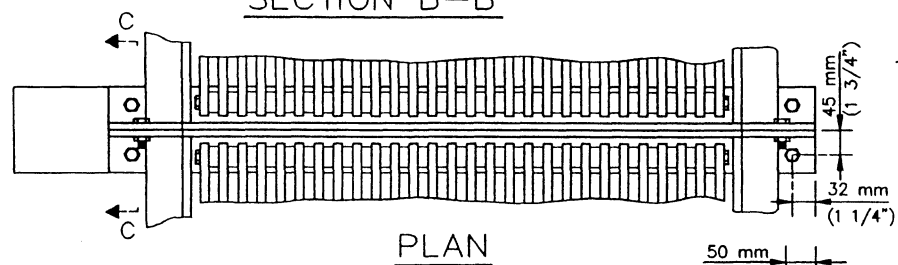


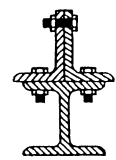
SECTION A-A



STANDARD 13 mm (1/2") PIPE INTERIOR SPACERS



END SPACERS



CENTER SUPPORT ASSEMBLY

STANDARD PLANS FOR PUBLIC WORKS CONSTRUCTION

PROMULGATED BY THE
PUBLIC WORKS STANDARDS, INC.,
GREENBOOK COMMITTEE
1984
REV. 1993, 1996

FRAME AND GRATING FOR
CATCH BASINS

STANDARD PLAN
METRIC
311-2

USE WITH STANDARD SPECIFICATIONS FOR PUBLIC WORKS CONSTRUCTION

SHEET 1 OF 2

NOTES:

1. ALL PARTS SHALL BE STEEL, EXCEPT THAT END SPACERS MAY BE CAST IRON.
2. ALL PARTS SHALL BE GALVANIZED AFTER FABRICATION, EXCEPT THAT GRATINGS SHALL BE ASSEMBLED AFTER COMPONENT PARTS ARE GALVANIZED.
3. ALL DIMENSIONS ARE FINISHED DIMENSIONS AND INCLUDE GALVANIZING.
4. ALL BOLT HOLES SHALL BE 16 mm (5/8") DIAMETER.
5. ALL THREADS SHALL BE NATIONAL COARSE SERIES (NC).
6. CENTER SUPPORT ASSEMBLY REQUIRED WHEN TWO OR MORE GRATINGS ARE SPECIFIED ON PLANS.

L = 1626 mm (64") FOR CURB OPENING CATCH BASIN WITH GRATING(S) AND DEBRIS SKIMMER (SPPWC 301).

L = 1118 mm (44") FOR CURB OPENING CATCH BASIN WITH GRATING(S) (SPPWC 320.)

L = 914 mm (36") FOR CURBSIDE GRATING CATCH BASIN (SPPWC 303).

L = 914 mm (36") FOR GRATING CATCH BASIN—ALLEY (LONGITUDINAL) (SPPWC 304).

STANDARD PLANS FOR PUBLIC WORKS CONSTRUCTION

FRAME AND GRATING FOR CATCH BASINS

STANDARD PLAN
METRIC

311-2

SHEET 2 OF 2