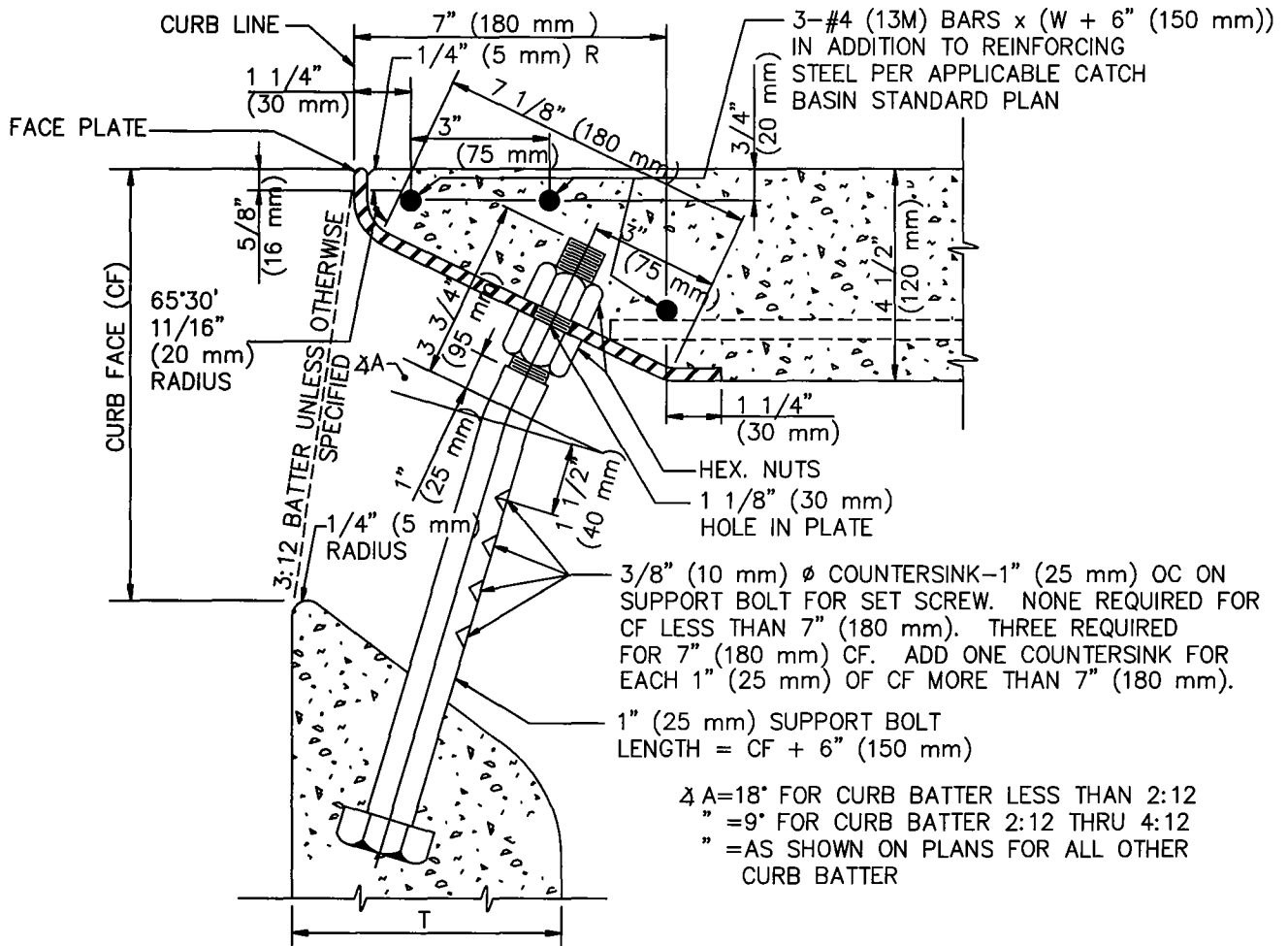
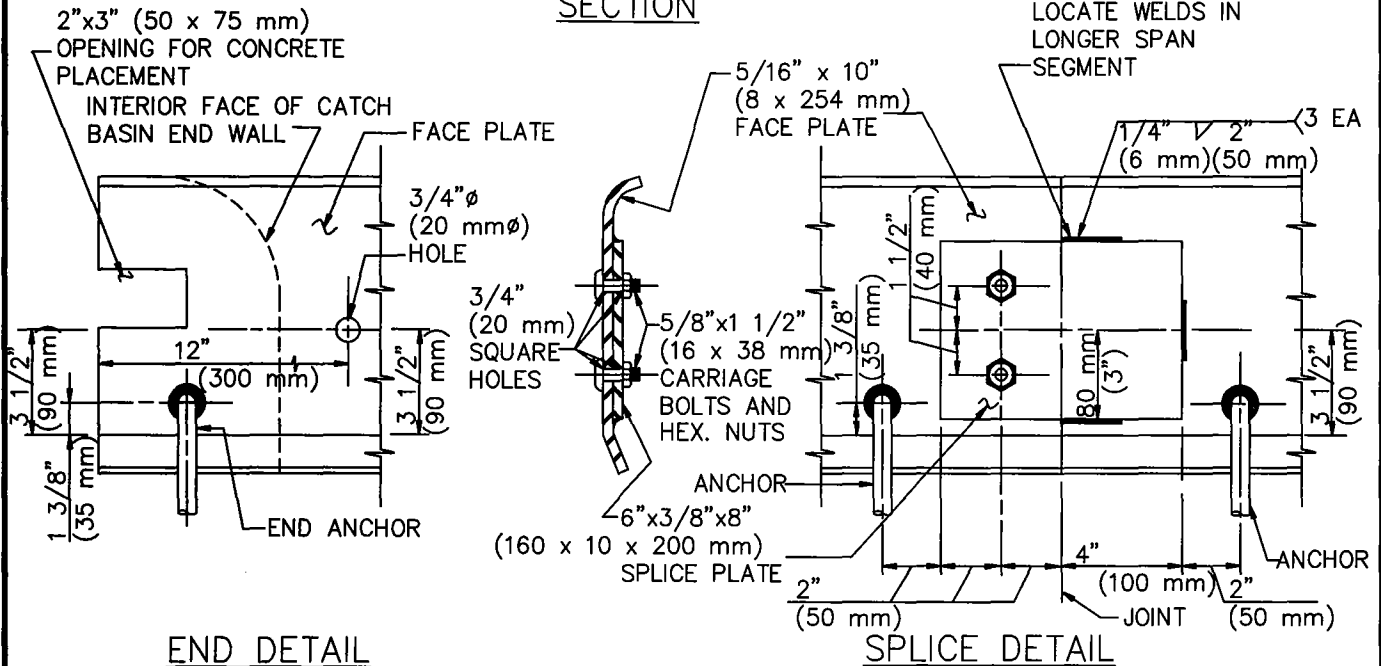


SUPPORT BOLT AND FACE PLATE 4 1/2" (120 mm) TOP SLAB



SECTION



END DETAIL

SPLICE DETAIL

STANDARD PLANS FOR PUBLIC WORKS CONSTRUCTION

PROMULGATED BY THE
PUBLIC WORKS STANDARDS INC.
GREENBOOK COMMITTEE
1984
REV. 1996, 2005, 2009

CATCH BASIN FACE PLATE ASSEMBLY AND PROTECTION BAR

USE WITH STANDARD SPECIFICATIONS FOR PUBLIC WORKS CONSTRUCTION

STANDARD PLAN

310-3

SHEET 1 OF 6