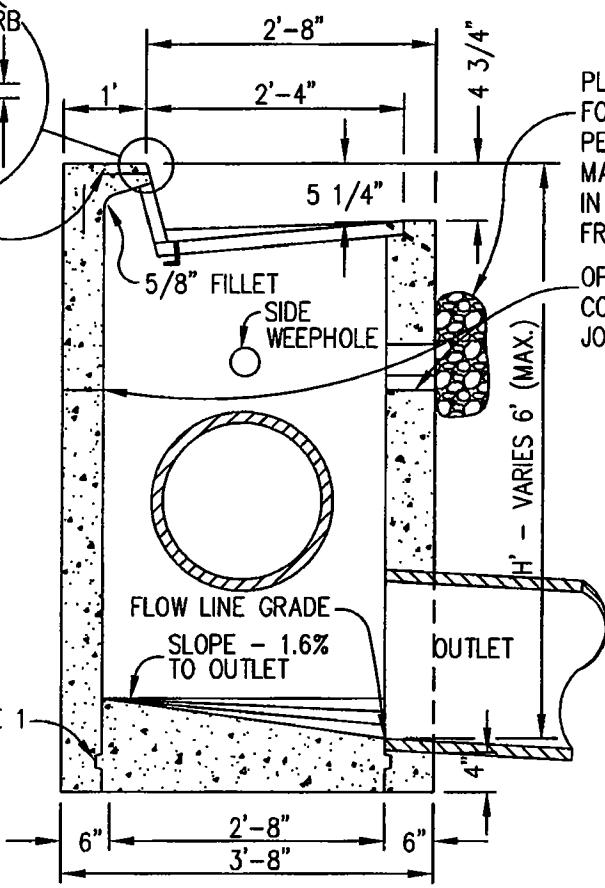


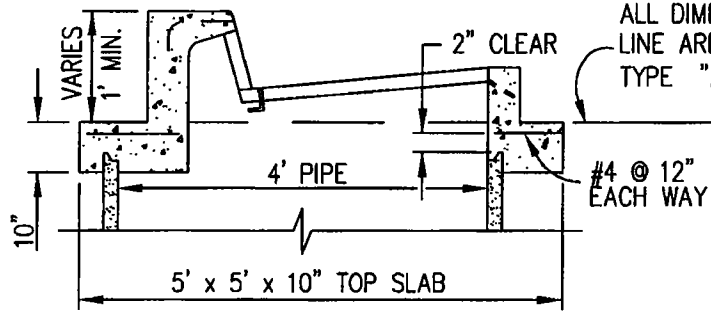
SCORE MARK



PLACE 1.0 CUBIC FOOT OF CLASS 1 PERMEABLE MATERIAL, WRAPPED IN FILTER FABRIC, AT FRONT WEEPHOLE
OPTIONAL CONSTRUCTION JOINTS. SEE NOTE 3

SEE NOTE 1

SECTION B-B
GRATE NOT SHOWN



ALL DIMENSIONS ABOVE THIS LINE ARE IDENTICAL TO A TYPE "A" STANDARD INLET

SECTION OF TYPE "A" OPENING
ON PRE CAST MANHOLE BARREL
REFER TO STD PLAN CD-407



TYPE "A" INLET

SCALE: NOT TO SCALE
DATE: SEPTEMBER 13, 2006
DRAWN BY: LDH
V:\CAD\NEW STANDARDS

APPROVED:
Melissa Peter
PUBLIC WORKS DIRECTOR

SHEET 3 OF 5

CD-401