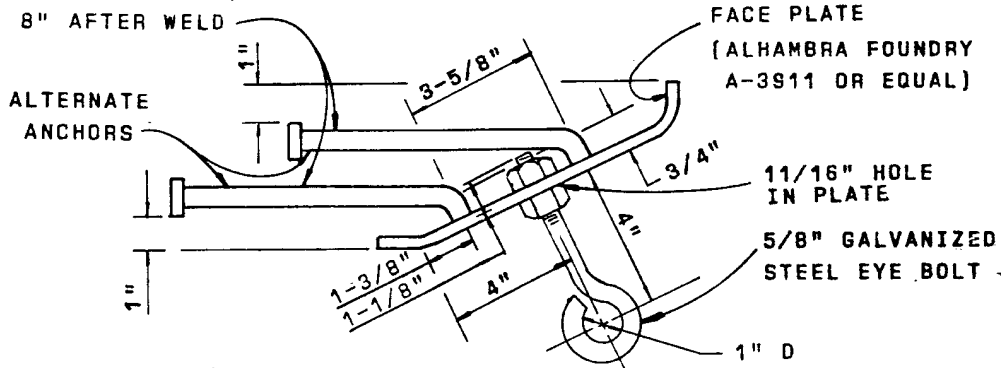


LENGTH OF CURB OPENING	NO. OF ANCHORS
3'6" OR LESS	2
7'0"	3
10'0"	4
14'0"	5
21'0"	7

FACE PLATE ANCHORAGE AND CURB SUPPORT

1/2" O ANCHORS,
8" AFTER WELD



NOTE:
THE 1/2" O x 8" STUD SHALL BE ELECTRICALLY WELDED. A NELSON H4F SHEAR CONNECTOR OR EQUAL SHALL BE USED.

EYE BOLT AND ALTERNATE ANCHOR DETAIL FOR FACE PLATE

Revised	Drawn	Date	CITY OF CORONA PUBLIC WORKS DEPARTMENT	
	Approved	Date 3-3-86		
	<i>Joseph R. Palencia</i>		CATCH BASIN FACE PLATE	STD. PLAN 205-0
	Director of Public Works			