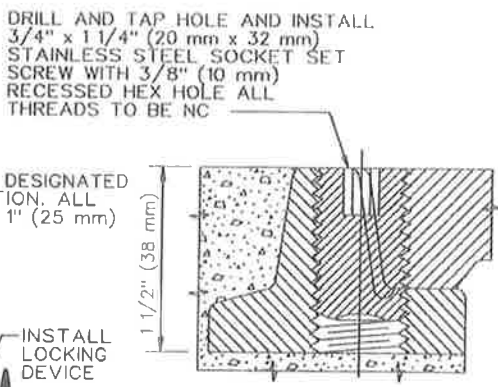
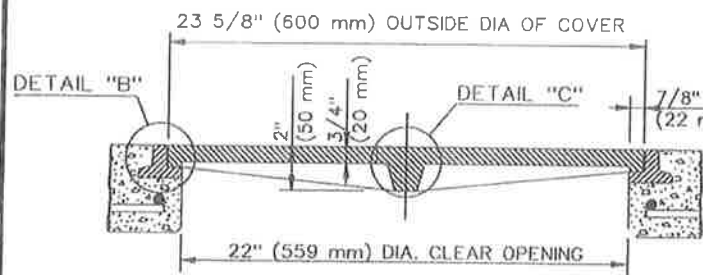


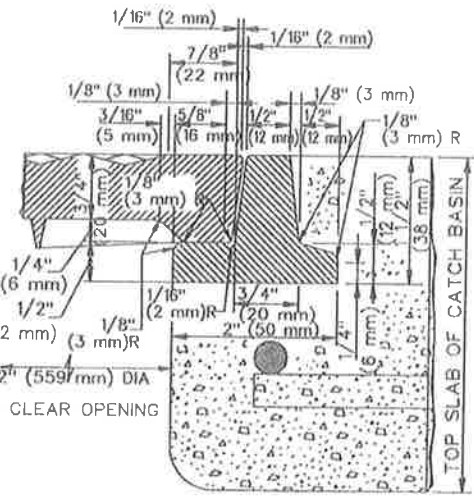
PLAN



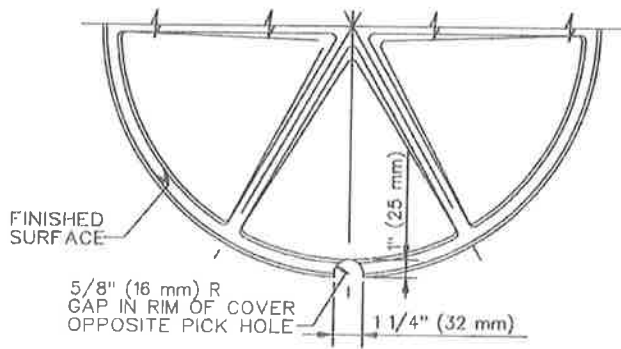
LOCKING DEVICE



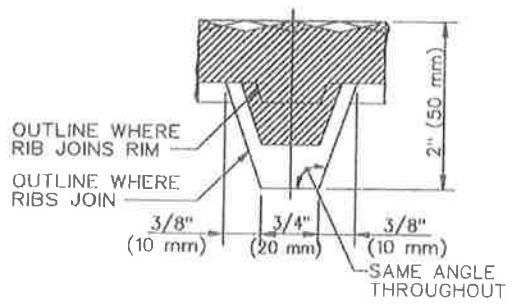
SECTION A-A



DETAIL "B"



BOTTOM OF MANHOLE COVER



DETAIL "C"

STANDARD PLANS FOR PUBLIC WORKS CONSTRUCTION

PROMULGATED BY THE PUBLIC WORKS STANDARDS INC. GREENBOOK COMMITTEE 1984 REV. 1993, 1996, 2008, 2009, 2021

CATCH BASIN
MANHOLE FRAME AND COVER

STANDARD PLAN
312-5
SHEET 1 OF 2

USE WITH STANDARD SPECIFICATIONS FOR PUBLIC WORKS CONSTRUCTION

NOTES

1. THE CAST IRON USED SHALL CONFORM TO ASTM A48 (A48M) CLASS 35B.
2. THE FRAME AND COVER SHALL BE COATED WITH ASPHALTUM OR BITUMINOUS PAINT AFTER TESTING AND INSPECTION.
3. FOUNDRY IDENTIFYING MARK, HEAT AND DATE SHALL BE CAST ON THE BOTTOM OF THE COVER AND ON THE INSIDE OF THE FRAME.
4. IMPORTED COVERS AND FRAMES SHALL HAVE THE COUNTRY OF ORIGIN MARKING IN COMPLIANCE WITH FEDERAL REGULATIONS.
5. WEIGHT OF FRAME SHALL BE 30 POUNDS (15 kg). WEIGHT OF COVER SHALL BE 85 POUNDS (40 kg). ACTUAL WEIGHTS SHALL BE WITHIN A RANGE OF 95% TO 110%.
6. THE MANHOLE FRAME AND COVER SHALL BE INSPECTED BY THE ENGINEER PRIOR TO SHIPMENT TO THE WORK SITE. ACCEPTANCE WILL BE INDICATED BY THE AGENCY'S MARK.
7. AGENCY INSCRIPTION SHALL BE AS SPECIFIED ON THE PLANS OR SPECIAL PROVISIONS.

STANDARD PLANS FOR PUBLIC WORKS CONSTRUCTION

CATCH BASIN MANHOLE FRAME AND COVER

STANDARD PLAN

312-5

SHEET 2 OF 2