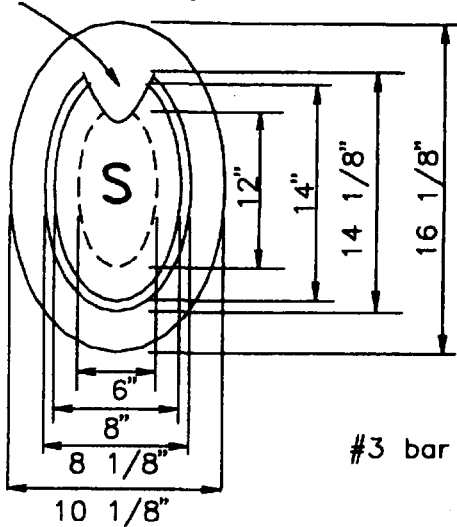
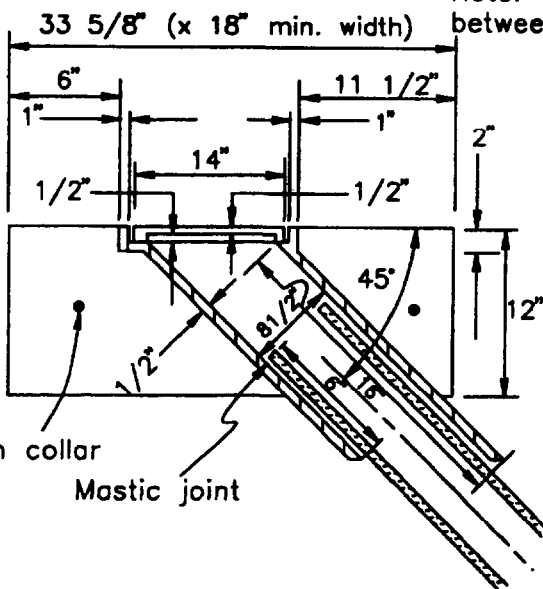


1/2" X 1" Lifting Slot



Plan of Cover

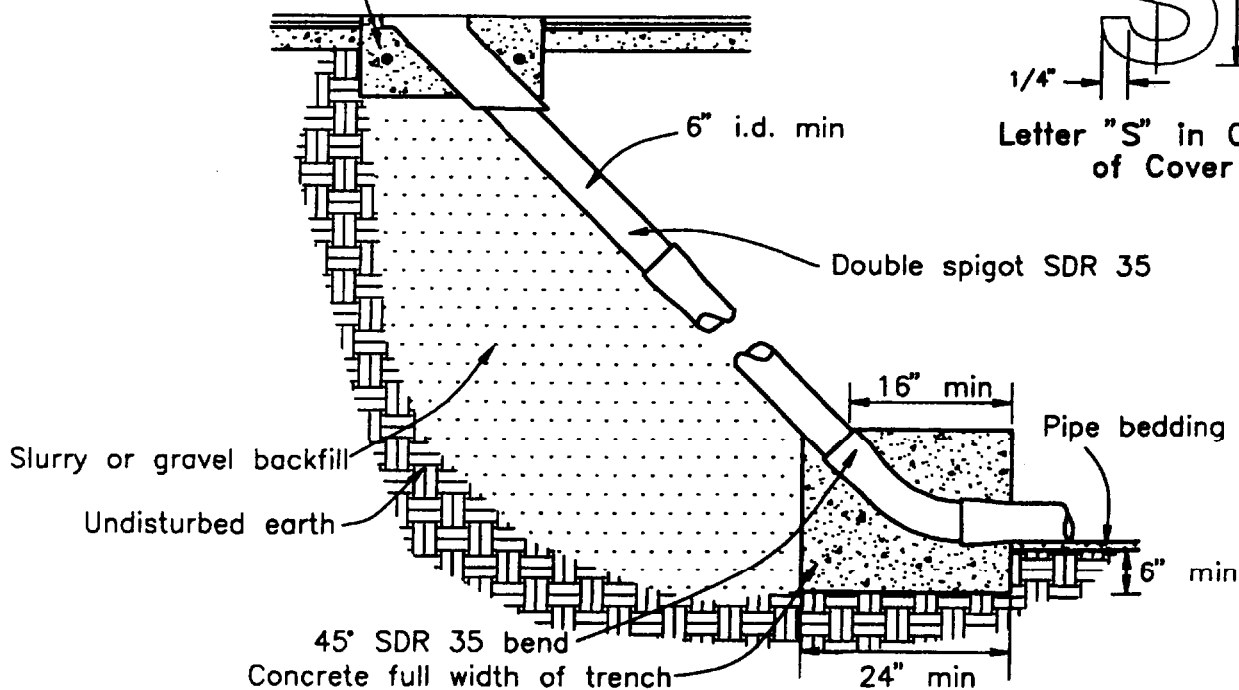
Note: 1/16" clearance between frame and cover



#3 bar in collar

Mastic joint

Class A concrete



Letter "S" in Center of Cover

Approved:

[Signature] 29 JUNE 07
 Director of Public Works/
 Designee

[Signature] 29 June 07
 R. James Garins, RCE 26993
 City Engineer



City of Grover Beach

Sewer Cleanout

S.4