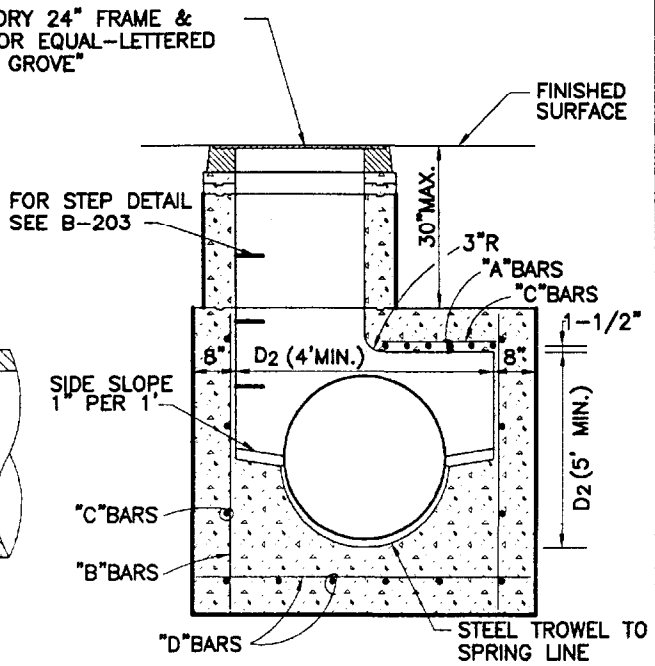
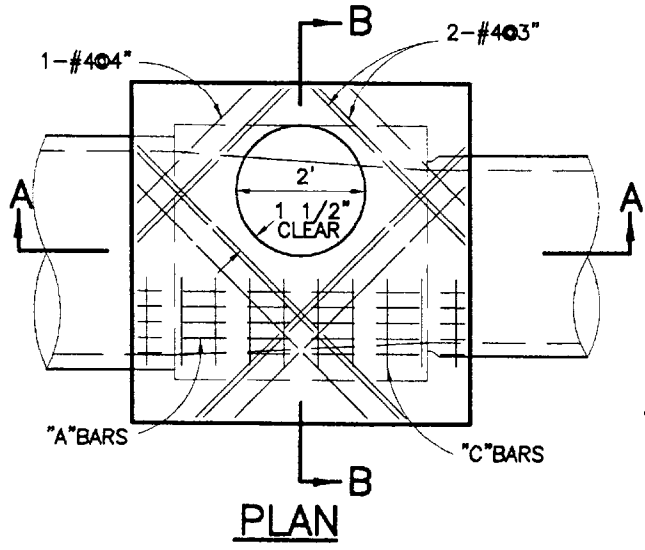


SECTION A-A



SECTION B-B



PLAN

REINFORCING SCHEDULE		
BARS	D ₂ UP TO 60"	D ₂ 63" UP TO 84"
"A" BARS	#5@4"	#5@4"
"B" BARS	#4@7"	#5@6"
"C" BARS	#4@18"	#4@18"
"D" BARS	#5@8"	#6@6"

NOTES:

1. ROUND EDGES OF OUTLET TO 3" RADIUS
2. ALL REINFORCING STEEL IN BASE STRUCTURE SHALL BE 1-1/2" CLEAR FROM INSIDE FACE OF CONCRETE.
3. CONCRETE RINGS FOR ACCESS SHAFT SHALL BE CEMENTED IN PLACE WITH 1:2 MIX CEMENT MORTAR.
4. CONCRETE SHALL BE CLASS "A" (6 SACK WITH 3/4" AGGREGATE).



STORM DRAIN MANHOLE (SHALLOW DEPTH)

Approved: *[Signature]* Date: *4/6/07*
 City Engineer R.C.E. 50353 Exp. 06-30-09

REVISIONS	BY	DATE

STD. PLAN NUMBER
B-207