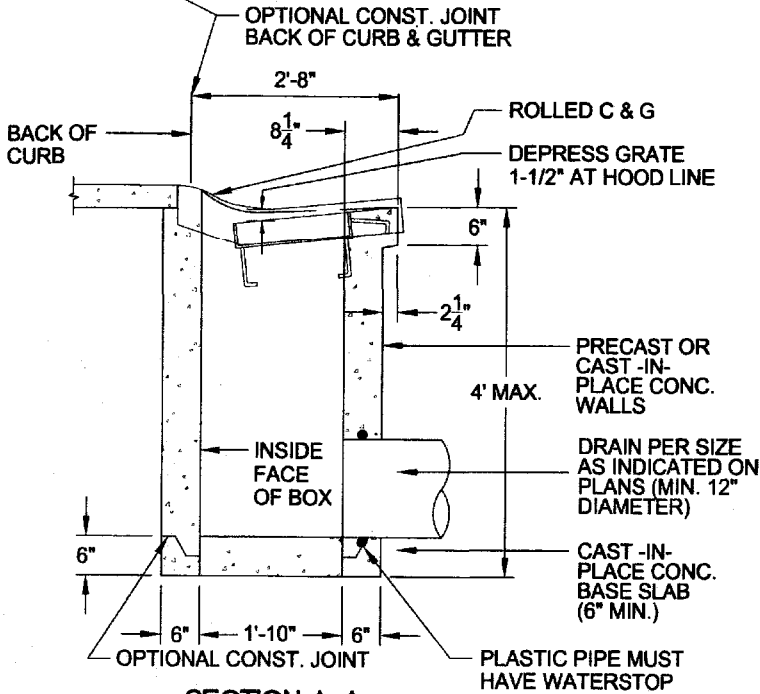
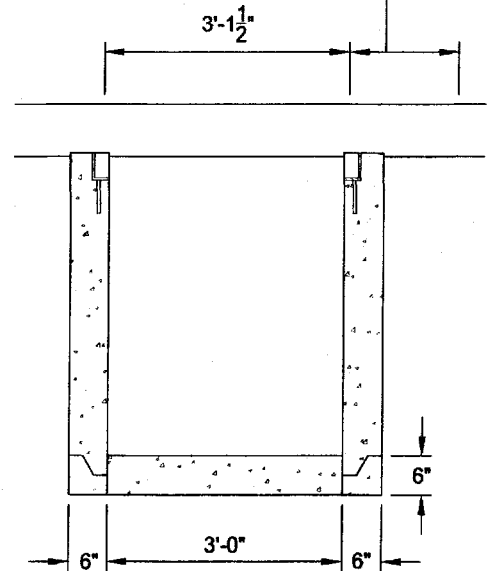


SECTION A-A  
TYPE 13 C&G

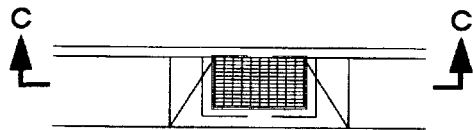
CONSTRUCT 2' OF ROLLED CURB BEFORE BEGINNING WARP ON TYPE 13 CURB & GUTTER



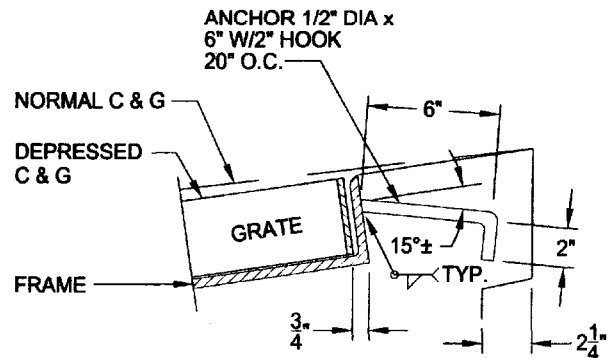
SECTION A-A  
TYPE 4 C&G



SECTION B-B



SECTION C-C  
STANDARD DEPRESSION



FRAME ANCHOR DETAIL

**NOTES:**

- CAST-IN-PLACE CONCRETE INLETS SHALL CONFORM TO SECTION 20 OF THE STANDARD SPECIFICATIONS.
  - MINIMUM WALL THICKNESS: 6"
  - REINFORCEMENT: #4 BARS AT 12" O.C. EACH WAY WITH 2" MIN. COVER FROM INSIDE FACE; ALL WALLS.
  - BOTTOM OF INLET SHALL BE PLACED AT SAME TIME AS SIDE WALLS, UNLESS OTHERWISE APPROVED.
- PRECAST INLETS TO BE RATED FOR H2O LOADING & SHALL BE PRE-APPROVED BY THE ENGINEER.
- FRAME & GRATE SHALL CONFORM TO STANDARD DRAWING C.E 53.
- OPEN-BACK HOOD SHALL BE CAST IRON.

REV.	DATE	DESCRIPTION

R:\Utilities\City\_Sto\_Details\Sewer\_Drainage\S-21