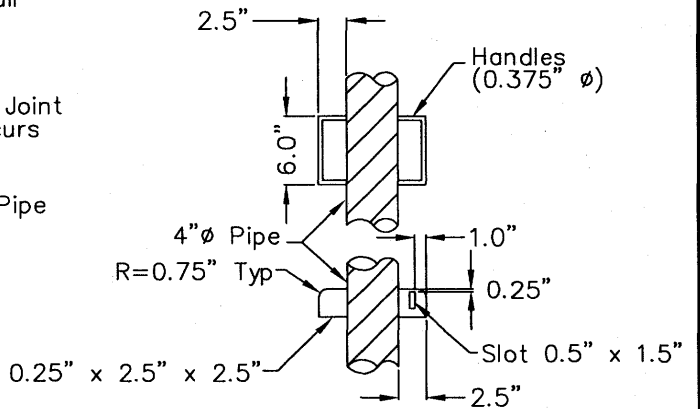
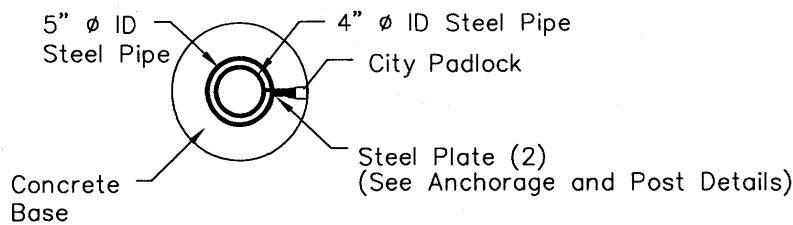


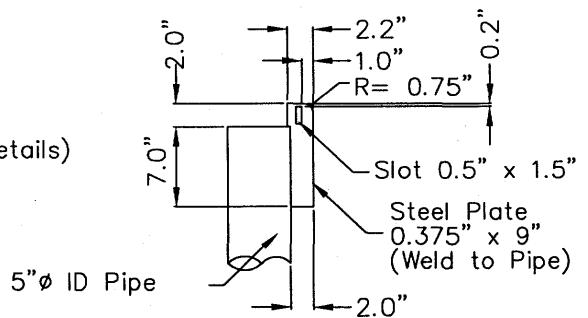
PROFILE



POST



PLAN



ANCHORAGE

Rev	By	Date
0	JT	8/14/06

Scale: NTS

Removable Steel Bollard

City of Palo Alto Standard

Approved by:

PE No. 35411

Date 5/14/07

Dwg No. 607