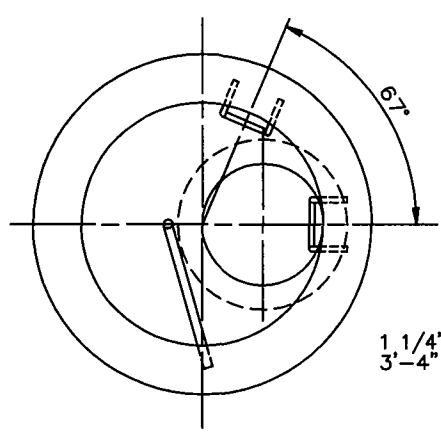
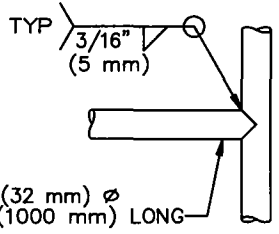


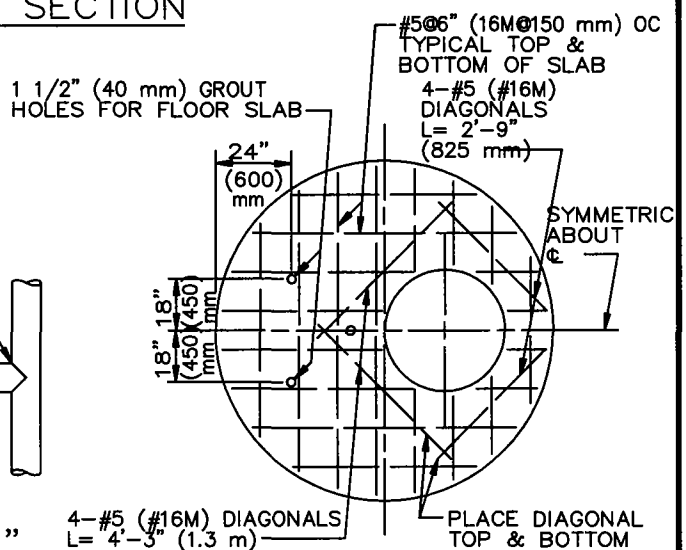
**VERTICAL SECTION**



**SECTION A-A**



**DETAIL "A"**  
ROTATED 90°



**SECTION B-B**  
REINFORCEMENT DETAILS  
FOR FLOOR AND ROOF SLABS

STANDARD PLANS FOR PUBLIC WORKS CONSTRUCTION

PROMULGATED BY THE  
PUBLIC WORKS STANDARDS INC.  
GREENBOOK COMMITTEE  
1992  
REV. 1996, 2009

**MANHOLE SHAFT SAFETY LEDGE**

USE WITH STANDARD SPECIFICATIONS FOR PUBLIC WORKS CONSTRUCTION

STANDARD PLAN  
**330-2**  
SHEET 1 OF 2