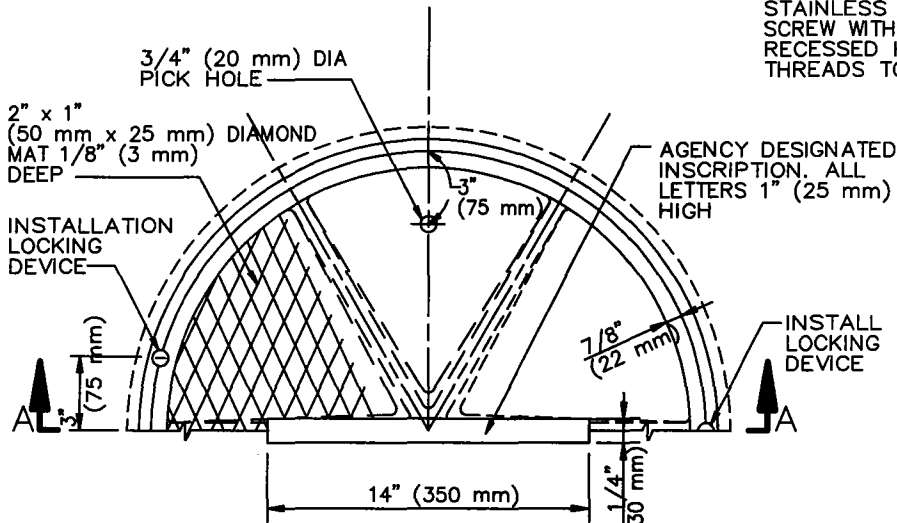
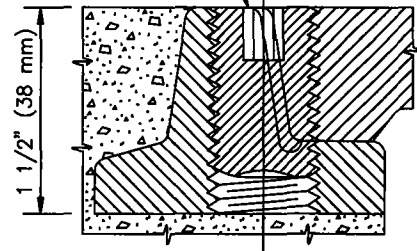


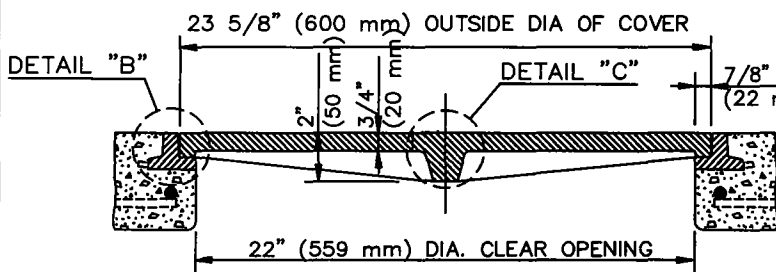
DRILL AND TAP HOLE AND INSTALL
 3/4" x 1 1/4" (20 mm x 32 mm)
 STAINLESS STEEL SOCKET SET
 SCREW WITH 3/8" (10 mm)
 RECESSED HEX HOLE ALL
 THREADS TO BE NC



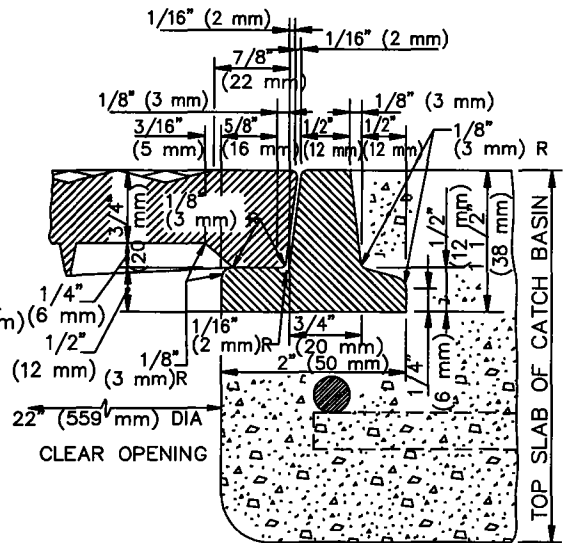
PLAN



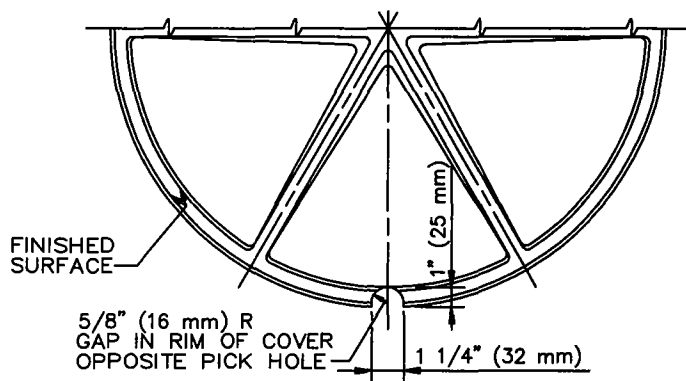
LOCKING DEVICE



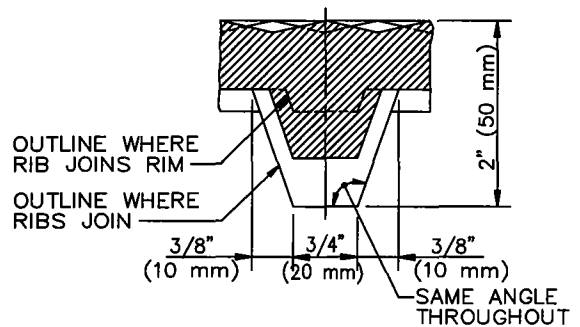
SECTION A-A



DETAIL "B"



BOTTOM OF MANHOLE COVER



DETAIL "C"

STANDARD PLANS FOR PUBLIC WORKS CONSTRUCTION

PROMULGATED BY THE
 PUBLIC WORKS STANDARDS INC.
 GREENBOOK COMMITTEE
 1984
 REV. 1993, 1996, 2009

CATCH BASIN
 MANHOLE FRAME AND COVER

USE WITH STANDARD SPECIFICATIONS FOR PUBLIC WORKS CONSTRUCTION

STANDARD PLAN

312-3

SHEET 1 OF 2