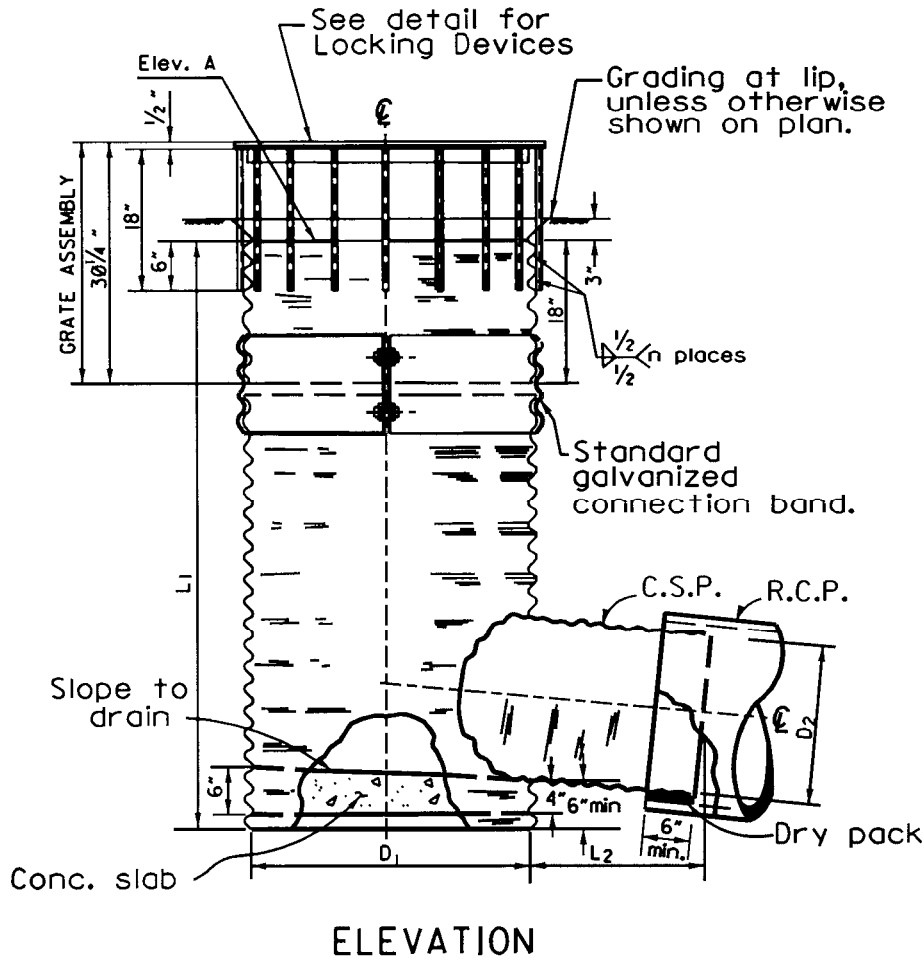


D_1 RISER DIAMETER	C.S.P. GAUGE
18"-27"	16
30"-39"	14
42"-48"	12
51"-66"	10

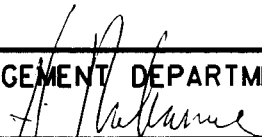


D_1	Δ	n"	HD"
18"	40°	9	2
24"-27"	30°	12	
30"-33"	24°	15	3
36"-39"	20°	18	
42"-45"	16.5°	22	4
48"-51"	14.5°	25	
54"-57"	13°	28	
60"-63"	11.5°	31	
66"	10.5°	34	

ORANGE COUNTY RESOURCES & DEVELOPMENT MANAGEMENT DEPARTMENT

STD. PLAN

Approved



H. I. Nakasone, Chief Engineer

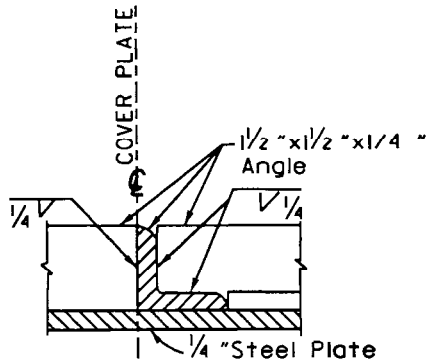
Adopted: Res. 77-92

Revised: Res. 96-546; 06-010

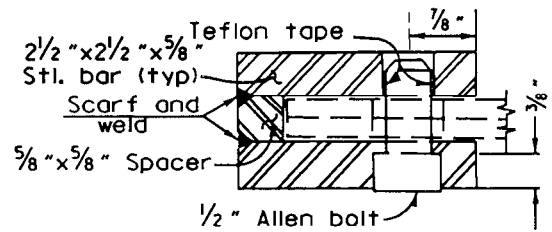
1305

INLET TYPE V

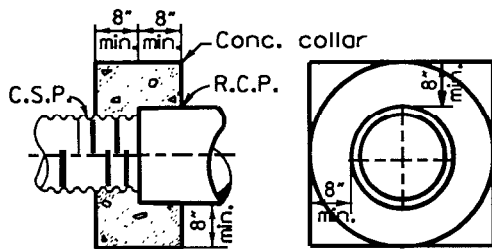
SHT. I OF 2



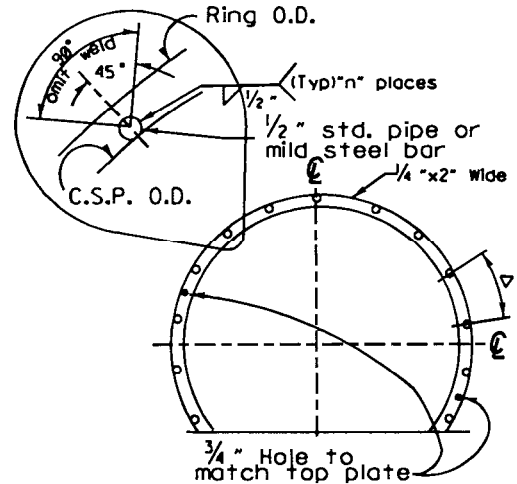
DETAIL-PLATE STIFFENER



HOLD-DOWN



ALTERNATE JUNCTION



BOTTOM VIEW
CAGE RETAINER RING

NOTES:

1. Riser pipe shall extend to "Elev. A".
2. Elevation A, D₁, D₂, L₁, L₂ are shown on plans.
3. Corrugated steel pipe shall conform to AASHTO M-36.
4. Grate assembly shall be galvanized after fabrication.
5. For D₁=54" and larger, weld 1/2" x 1/2" x 1/4" angles to plate with 1" welds at 6" O.C.
6. n=number of bars on grate assembly.
7. Gauge of pipe for diameter D₂ shall be same as for riser.
8. Riser and stub shall be shop fabricated and galvanized after welding.
9. The following shall be stencilled using 2 inch high letters and white paint on the top plate of the inlet.

NO DUMPING
DRAINS TO OCEAN

ORANGE COUNTY RESOURCES & DEVELOPMENT MANAGEMENT DEPARTMENT

Approved

H. I. Nakasone
H. I. Nakasone, Chief Engineer

Adopted: Res. 77-92

Revised: Res. 96-546; 06-010

STD. PLAN

1305

INLET TYPE V

SHT. 2 OF 2