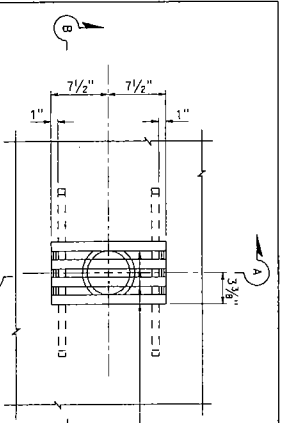
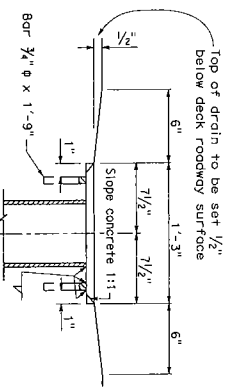


PROJECT NO.	ROUTE	FOOT WALLS	NO. OF SHEETS
DATE		TOTAL PROJECT	
REGISTERED PROFESSIONAL ENGINEER C.J.L. SIMS No. C-64871 Exp. 6-30-07 STATE OF CALIFORNIA			
MAY 1, 2006 THESE APPROVAL DATE THE ENGINEER'S SIGNATURE AND REGISTERED SEAL ARE THE RESPONSIBILITY FOR THE ACCURACY AND COMPLETENESS OF THE DRAWING TO GO TO THE EDITOR'S WEB SITE, GO TO: http://www.dgs.ca.gov			

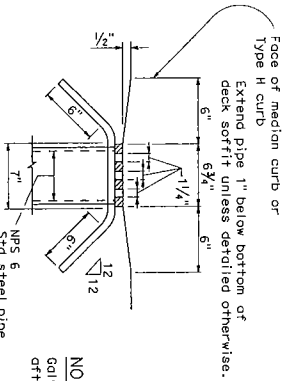


PLAN



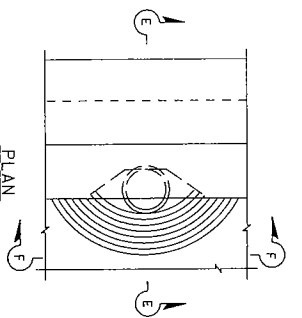
SECTION A-A

DRAIN - TYPE "A" DETAIL 7-1

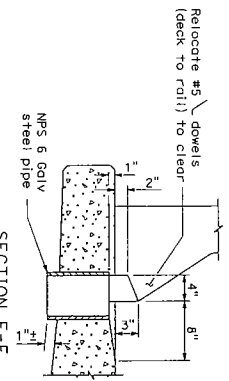


SECTION B-B

NOTE:
galvanize drain
after fabrication.



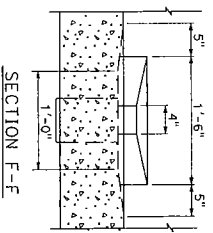
PLAN



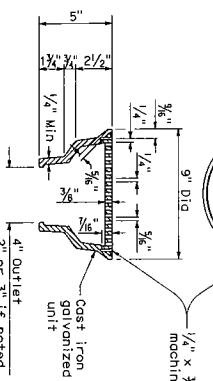
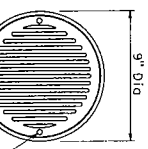
SECTION E-E

DRAIN - TYPE "B" DETAIL 7-3

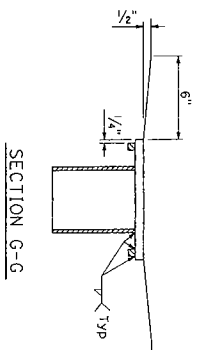
For Type 25 barrier railing



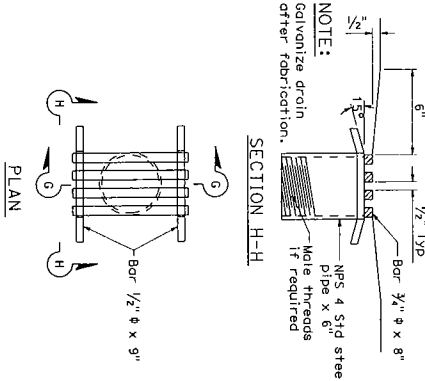
SECTION F-F



AREA DRAIN DETAIL 7-4



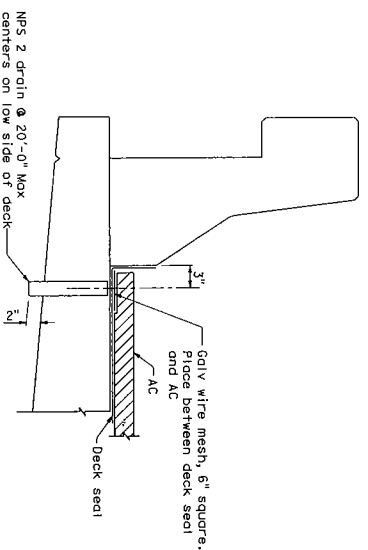
SECTION G-G



SECTION H-H

PLAN

PEDESTRIAN STRUCTURE DRAIN DETAIL 7-5



DECK BLEEDER DRAIN DETAIL 7-6

STATE OF CALIFORNIA
DEPARTMENT OF TRANSPORTATION
DECK DRAINS
NO SCALE

B7-5