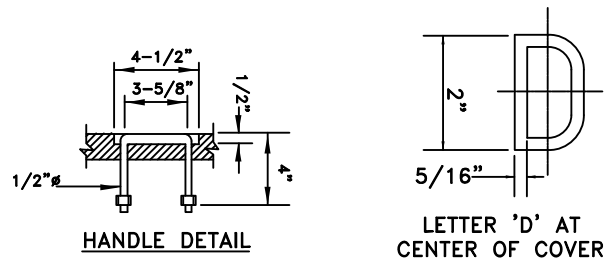


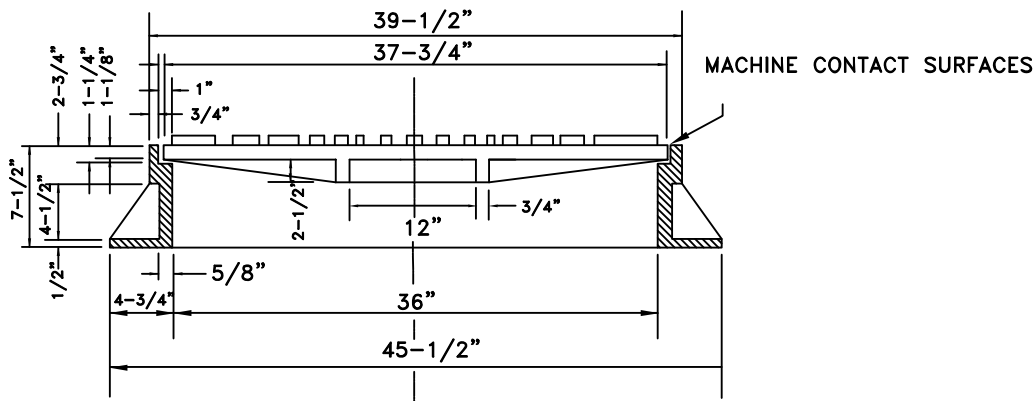
HALF PLAN OF M.H. FRAME & COVER



FRAME AND COVER:
(OR APPROVED EQUAL APPLIES)

D&L SUPPLY: #A-1462 OR
SOUTH BAY FOUNDRY: #1907
NATIONAL CASTING CORPORATION: NC 2641

FRAME WEIGHT: 300LBS
COVER WEIGHT: 375 LBS.



SECTION A-A

Rob Jensen
ROB JENSEN
DIRECTOR OF PUBLIC WORKS/CITY ENGINEER

	DEPARTMENT OF PUBLIC WORKS
	STANDARD 36" MANHOLE FRAME AND COVER
SCALE: NONE REVISED: MARCH 2007 DRAWN BY: STAFF APPROVED BY: R JENSEN	DR-7