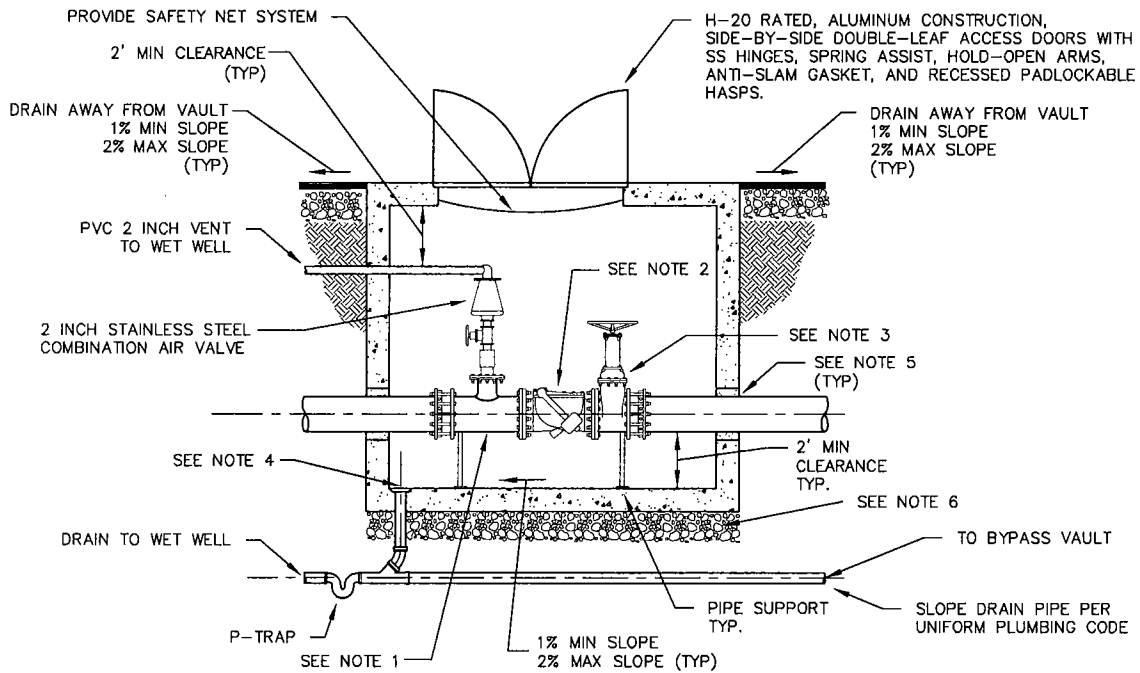


PLAN VIEW



SECTION

NOTES:

1. AWWA C110 REDUCING TEE, FLGxFLGxFLG
2. AWWA C508 FLGxFLG SWING CHECK VALVE WITH LEVER AND COUNTERWEIGHT
3. AWWA C500 FLGxFLG DOUBLE DISC GATE VALVE WITH NRS AND HANDWHEEL
4. 3 INCH Ø ABS DRAIN, LENGTH AS REQUIRED
5. PIPE PENETRATIONS SHALL BE BORED OR BLOCKED OUT AND SEALED WITH LINK-SEAL OR APPROVED EQUAL. OPENINGS SHALL BE ADDITIONALLY REINFORCED PER STRUCTURAL DRAWINGS.
6. AB THICKNESS SHALL BE PER GEOTECHNICAL RECOMMENDATION.

**SACRAMENTO COUNTY  
MUNICIPAL SERVICES AGENCY**

**VALVE  
VAULT**

*Mary K Snyder*  
DIRECTOR

DRAWN BY: PL  
SCALE: NONE  
DATE: 11/07

**7-6M-30**