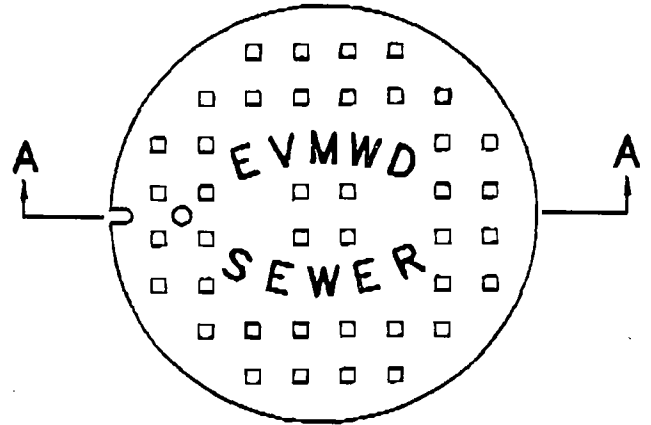
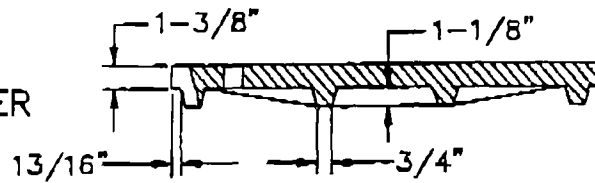


**COVER-BOTTOM VIEW**

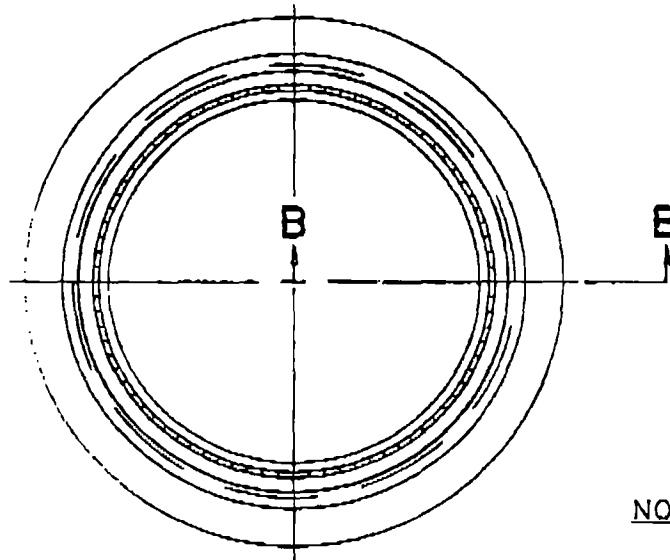


**COVER-TOP VIEW**

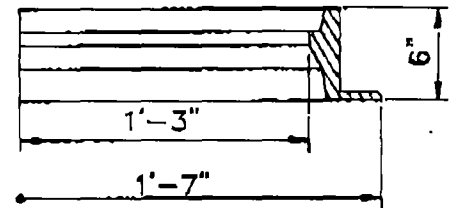
NOTE:  
EACH FRAME AND COVER SHALL  
BE MATCHED SO THAT THE COVER  
WILL NOT ROCK IN THE FRAME.



**SECTION A-A**



**RING PLAN**



**SECTION B-B**

**NOTES:**

CAST IRON SHALL HAVE MINIMUM  
TENSILE STRENGTH OF 30,000 LBS.  
PER SQUARE INCH.

ALHAMBRA FOUNDRY CO. TYPE  
A-1252 OR EQUAL.

RIVERSIDE FOUNDRY CO. TYPE  
R-1252 OR EQUAL.

WEIGHT OF FRAME AND COVER  
=430 LBS. MINIMUM.

REVISIONS	
2-F.C.	
2-28-10	

**ELSINORE VALLEY  
MUNICIPAL WATER DISTRICT**

**MANHOLE FRAME  
AND COVER**

STD. DWG. NO.

**S-9**