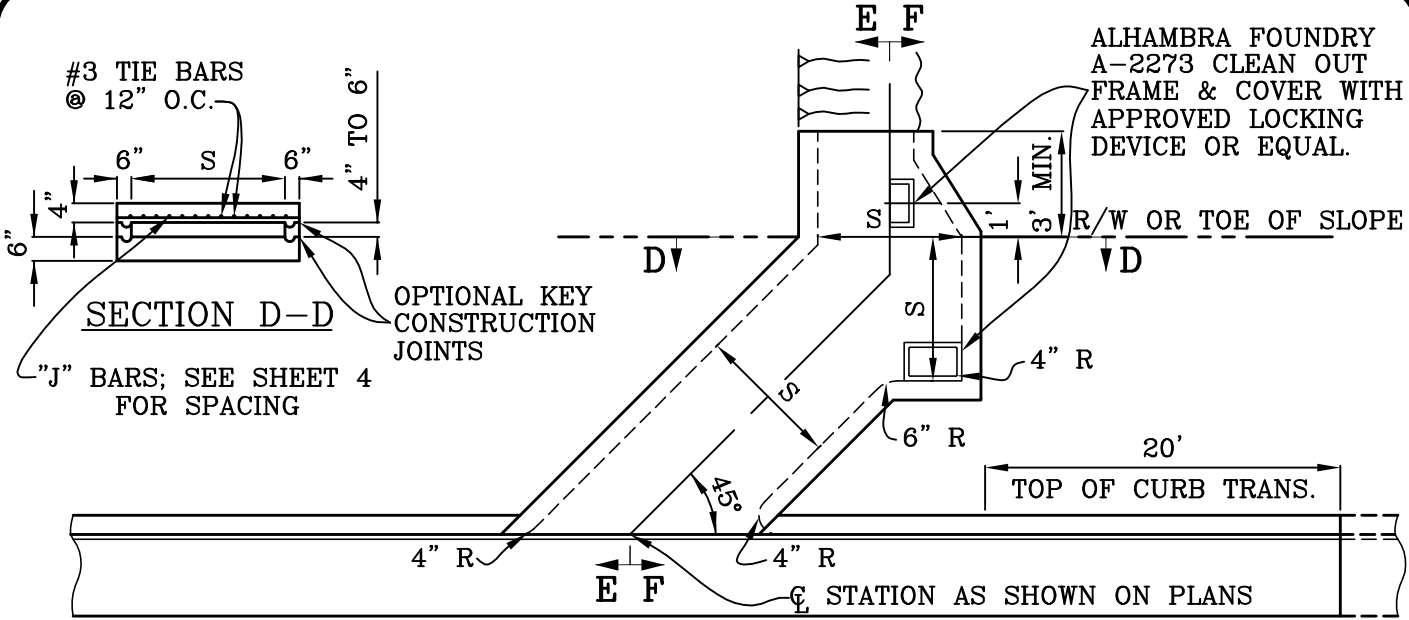
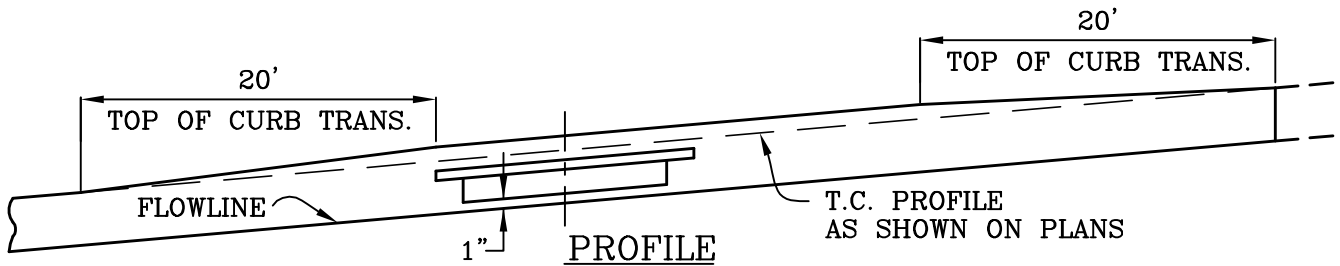


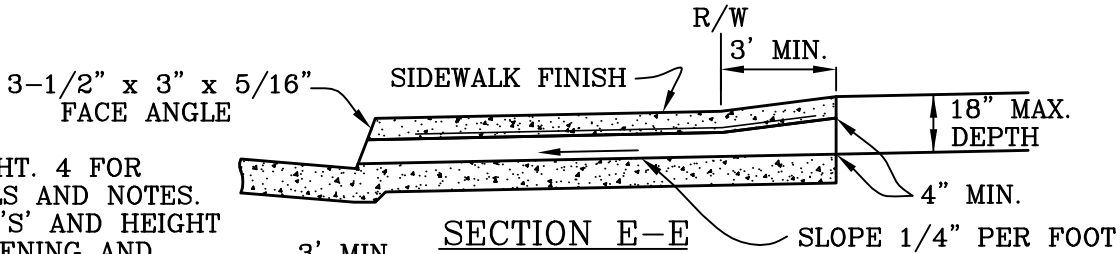
ALHAMBRA FOUNDRY
A-2273 CLEAN OUT
FRAME & COVER WITH
APPROVED LOCKING
DEVICE OR EQUAL.



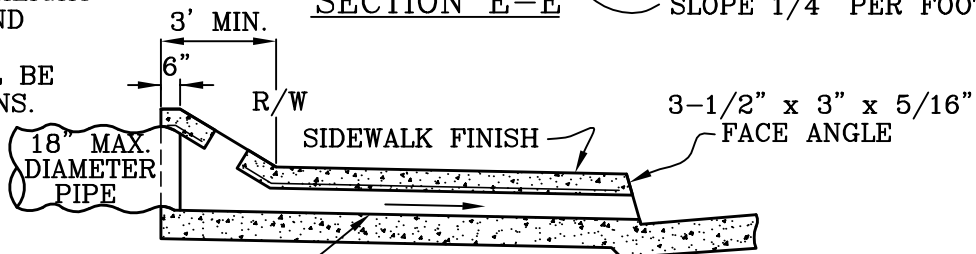
PLAN



PROFILE



SECTION E-E



SECTION F-F

- NOTES:
1. SEE SHT. 4 FOR DETAILS AND NOTES.
 2. SPAN 'S' AND HEIGHT OF OPENING AND CURB FACE AT CULVERT SHALL BE NOTED ON PLANS.

CITY OF MISSION VIEJO

PARKWAY CULVERT (TYPE A)

STANDARD
PLAN NO.

407



APPROVED

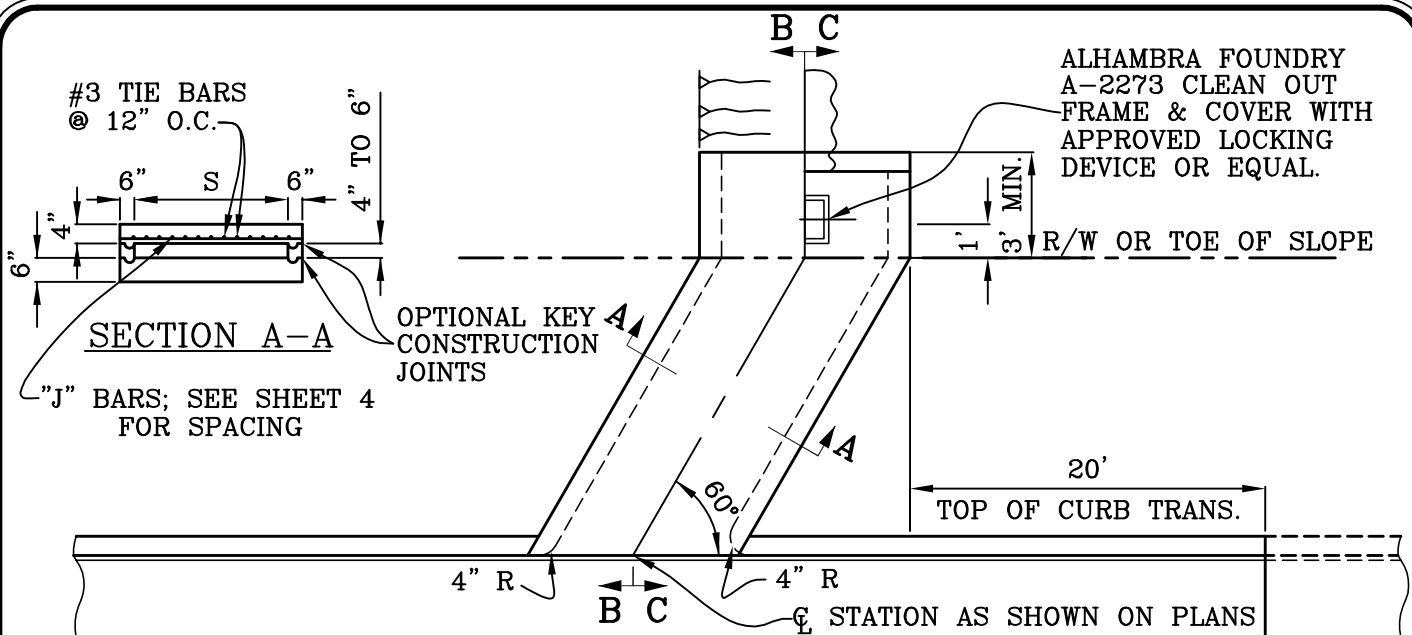
RCE 30190

DATE

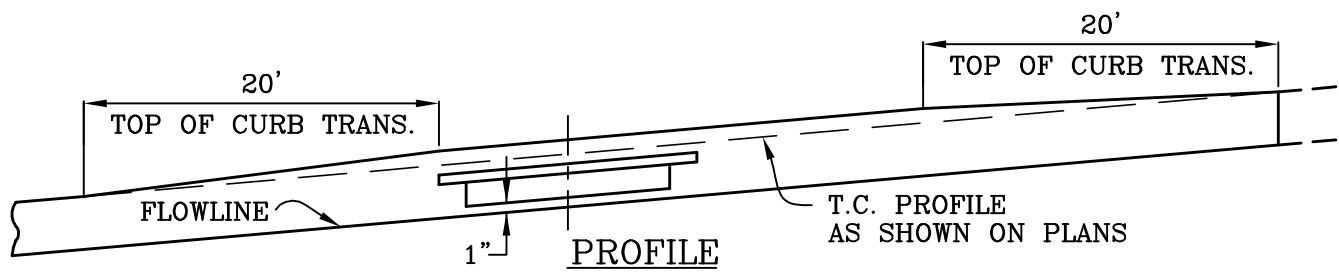
SHT 1 OF 4

Robert Anderson

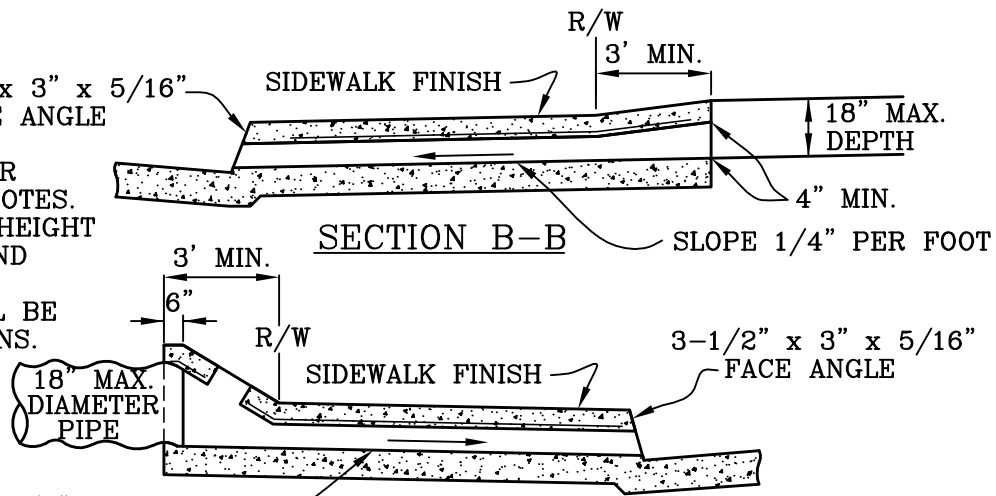
9-23-03



PLAN



PROFILE



SECTION B-B

SECTION C-C

- NOTES:
1. SEE SHT. 4 FOR DETAILS AND NOTES.
 2. SPAN 'S' AND HEIGHT OF OPENING AND CURB FACE AT CULVERT SHALL BE NOTED ON PLANS.

CITY OF MISSION VIEJO

PARKWAY CULVERT (TYPE B)

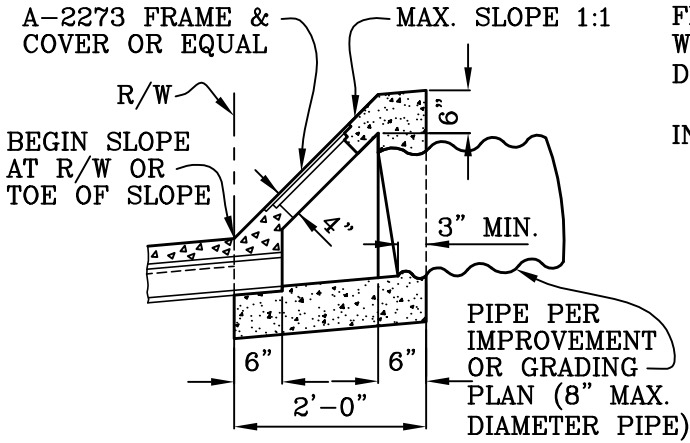
STANDARD PLAN NO.

407

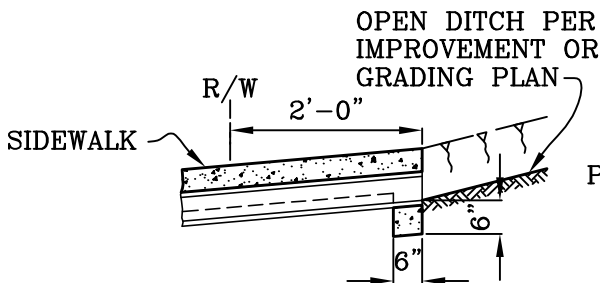


APPROVED *Robert Anderson* DATE 9-23-03

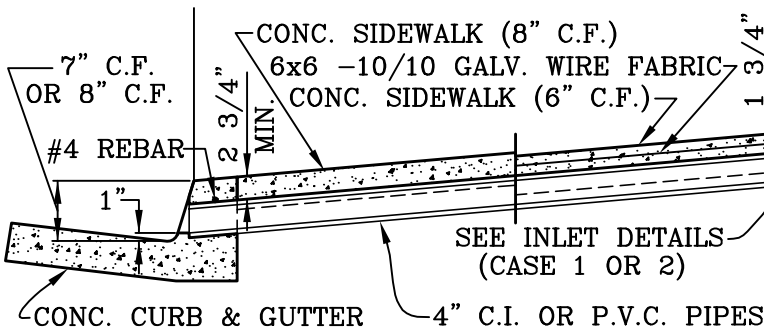
ALHAMBRA FOUNDRY
A-2273 FRAME &
COVER OR EQUAL



CASE 1 INLET
TRANSITION STRUCTURE SECTION



CASE 2 INLET

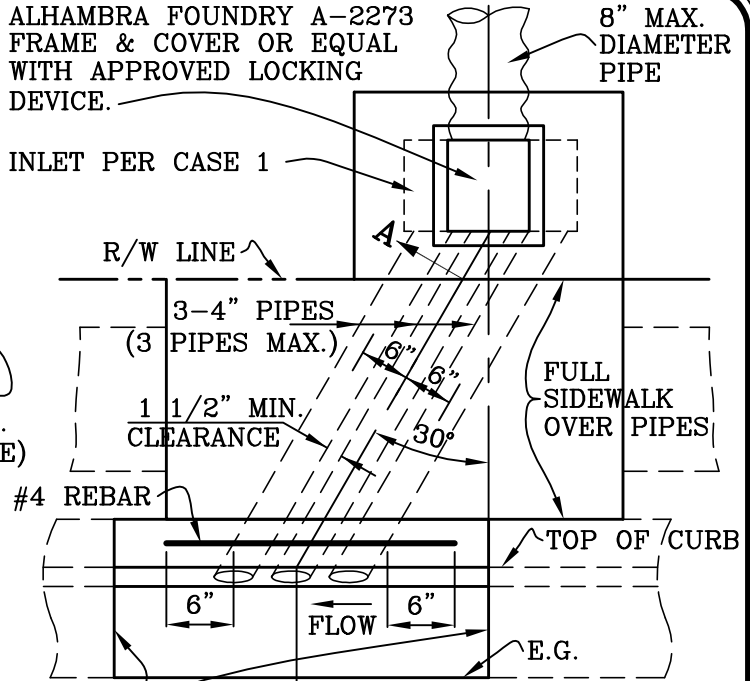


SECTION A-A

NOTES:

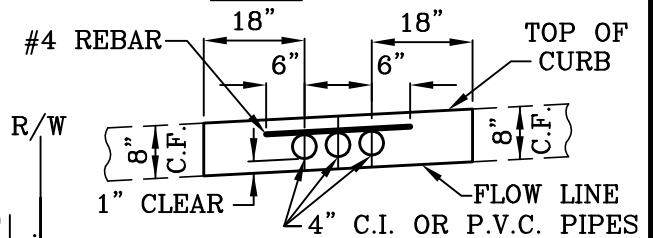
1. SEE SHEET 4 FOR DETAILS AND NOTES.
2. ALHAMBRA FOUNDRY A-470 RECTANGULAR CAST IRON PIPE MAY BE SUBSTITUTED AT THE CONTRACTOR'S OPTION OR AS SPECIFIED ON THE PLANS.
3. CAST IRON FACILITIES SHALL HAVE A BITUMINOUS COATING CONFORMING TO AASHO DESIGNATION:M190.

ALHAMBRA FOUNDRY A-2273
FRAME & COVER OR EQUAL
WITH APPROVED LOCKING
DEVICE.

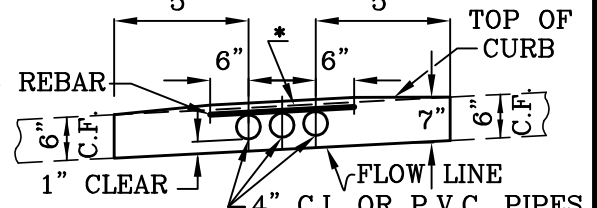


SEE CURB
PROFILES BELOW

PLAN



CURB PROFILE
8" NORMAL CURB FACE



CURB PROFILE
6" NORMAL CURB FACE

*NORMAL T.C. GRADE LINE AS SHOWN ON PROFILE

CITY OF MISSION VIEJO

PARKWAY CULVERT (TYPE C)

STANDARD
PLAN NO.

407



Robert Anderson

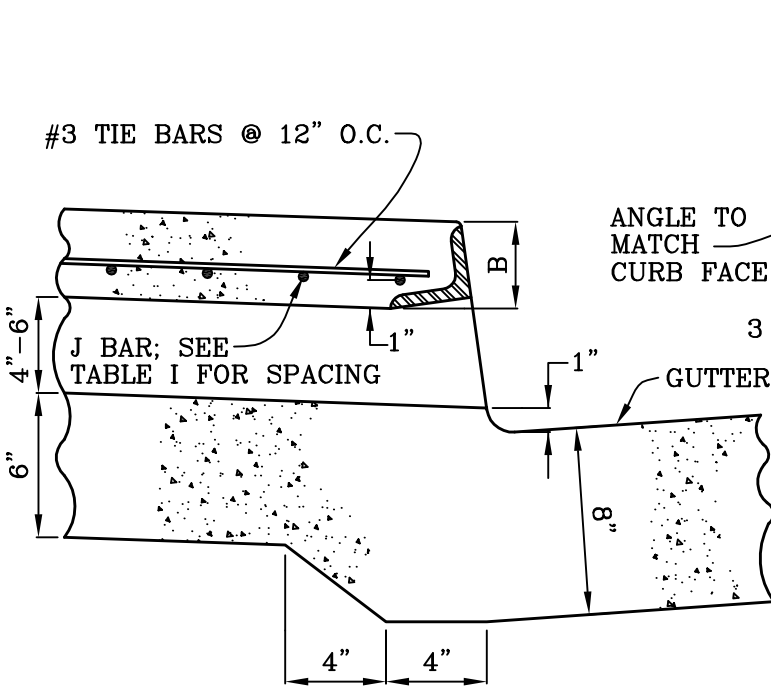
9-23-03

APPROVED

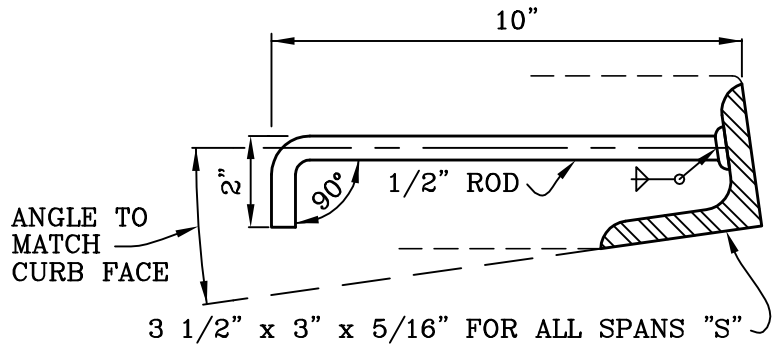
RCE 30190

DATE

SHT 3 OF 4



OUTLET DETAIL



LENGTH OF CURB OPENING	NO. OF ANCHORS
3' OR LESS	2
3'-6" TO 6'-0"	3

FACE ANGLE ANCHOR DETAIL

NOTES:

1. USE PARKWAY CULVERT TYPE "A" WHEN INLET VELOCITIES WILL BE 10 FEET PER SECOND OR GREATER.
2. USE PARKWAY CULVERT TYPE "B" WHEN INLET VELOCITIES WILL BE LESS THAN 10 FEET PER SECOND.
3. USE PARKWAY CULVERT TYPE "C" WHEN INLET VELOCITIES ARE LESS THAN 5 FEET PER SECOND.
4. FLOOR OF PARKWAY CULVERT SHALL HAVE A STEEL TROWEL FINISH.
5. ALL EXPOSED METAL SHALL BE GALVANIZED AFTER FABRICATION.
6. HEIGHT OF CURB OPENING FOR TYPES "A" & "B" PARKWAY CULVERTS WILL VARY WITH TYPE OF CURB.
7. SPAN "S" AND HEIGHT OF CURB OPENING WILL BE DETERMINED FROM THE REQUIRED HYDRAULIC CAPACITY AND LIMITED TO THE DIMENSION IN TABLE I.
8. REINFORCING STEEL SHALL BE 1" CLEAR TO INSIDE OF CULVERT UNLESS OTHERWISE SHOWN.

SPAN S	B	STEEL SCHEDULE J - BARS		
		SIZE	SPACING C-C	LENGTH
2'-0"	3"	#3	7"	2'-9"
2'-6"	"	"	"	3'-3"
3'-0"	"	"	"	3'-9"
3'-6"	"	"	6"	4'-3"
4'-0"	"	"	5"	4'-9"
4'-6"	4"	"	6 1/2"	5'-3"
5'-0"	"	"	5"	5'-9"
5'-6"	"	"	4"	6'-3"
6'-0"	"	"	3 1/2"	6'-9"

TABLE I

CITY OF MISSION VIEJO



PARKWAY CULVERT (DETAILS & NOTES)

STANDARD PLAN NO.

407

Robert Anderson

9-23-03

APPROVED

RCE 30190

DATE

SHT 4 OF 4